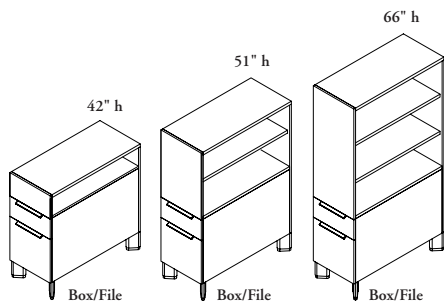


# UTW Side Open Tower



The Side Open Tower provides both file storage and open binder storage and the capability to support worksurfaces and panels.

### WHAT'S INCLUDED

1 side open tower with drawers and pulls (as specified), 4 angled feet (if specified), height-adjustable shelves (depending on height and style selected), lock and keys (if specified).

### NOTES

The Elevated (E) tower includes a Box/File (X) drawer combination.

The Standard (S) tower is available with Box/Box/File (B) or File/File (F) drawer combinations.

Left/Right orientation is determined by the location of the open compartment.

Power and data access **cannot** be applied to the Side Open Tower.

This product includes extended levelers (UNSLB) already installed.

### PRODUCT OPTIONS

Style	Height	Depth	Width	Open Compartment Location	Drawer Combination	Pull Style	Pull Finish	Case & Front Finish	Key Style	Foot Finish (Elevated Style)
E Elevated (shown)	42, 51, 66	19, 23, 29, 35	16	L Left R Right (shown)	X Box/File B Box/Box/File F File/File	D District R Rectangular	Foundation Mica	Source Laminate Seamless Color Flintwood Natural Veneer	K Keyed Alike R Keyed Randomly N No Lock	Q Storm White 7 Platinum V Very White X Anthracite M Graphite 2 Burnished Bronze
S Standard										

### SAMPLE ORDER CODE

							Case	Front				
UTW	E	42	19	16	L	X	D	7	ZA	ZA	R	7

### DIMENSIONS FOR MM X BY 25.4

H	D	W
42	19	16
42	23	16
42	29	16
42	35	16
51	19	16
51	23	16
51	29	16
51	35	16
66	19	16
66	23	16
66	29	16
66	35	16

### PRICING

#### ELEVATED (E)

#### BOX/FILE (X)

#### SOURCE LAMINATE CASE

Source Lam. Front	Flintwood Front
1480	2215
1535	2299
1644	2468
1720	2584
1723	2589
1836	2770
2025	3062
2118	3205
2069	3128
2220	3366
2462	3738
2576	3921

#### SEAMLESS CASE

Seamless Front	Flintwood Front	Veneer Front
2165	2557	2599
2259	2665	2708
2437	2876	2926
2559	3020	3072
2567	3029	3080
2757	3255	3307
3069	3620	3682
3221	3801	3866
3134	3701	3763
3385	3996	4062
3784	4464	4543
3976	4690	4771

Pricing is continued on the following page.

UTW  
Side Open Tower  
(Continued)

DIMENSIONS  
FOR MM X BY 25.4

H	D	W
42	19	16
42	23	16
42	29	16
42	35	16
51	19	16
51	23	16
51	29	16
51	35	16
66	19	16
66	23	16
66	29	16
66	35	16

H	D	W
42	19	16
42	23	16
42	29	16
42	35	16
51	19	16
51	23	16
51	29	16
51	35	16
66	19	16
66	23	16
66	29	16
66	35	16

42	19	16
42	23	16
42	29	16
42	35	16
51	19	16
51	23	16
51	29	16
51	35	16
66	19	16
66	23	16
66	29	16
66	35	16

PRICING

ELEVATED (E)

BOX/FILE (X)

FLINTWOOD CASE

Seamless Front	Flintwood Front
2655	2707
2768	2822
2986	3048
3134	3199
3145	3207
3377	3448
3757	3834
3946	4025
3842	3921
4150	4232
4639	4733
4870	4969

VENEER CASE

Seamless Front	Veneer Front
2758	2842
2875	2966
3106	3199
3260	3359
3266	3369
3510	3619
3906	4026
4100	4227
3991	4116
4309	4446
4820	4969
5060	5216

STANDARD (S)

BOX/BOX/FILE (B)

SOURCE LAMINATE CASE

Source Lam. Front	Flintwood Front
1376	2144
1433	2233
1527	2375
1602	2497
1610	2509
1731	2696
1907	2971
2004	3119
1955	3045
2113	3291
2344	3651
2460	3833

SEAMLESS CASE

Seamless Front	Flintwood Front	Veneer Front
2267	2677	2722
2368	2793	2839
2517	2970	3021
2644	3119	3175
2659	3135	3190
2856	3370	3426
3150	3714	3777
3305	3900	3967
3227	3808	3872
3486	4113	4183
3867	4563	4640
4058	4792	4873

FLINTWOOD CASE

Seamless Front	Flintwood Front
2777	2835
2900	2958
3084	3148
3237	3305
3257	3324
3500	3572
3855	3935
4051	4132
3951	4031
4269	4355
4736	4833
4973	5076

VENEER CASE

Seamless Front	Veneer Front
2889	2978
3012	3108
3204	3304
3368	3472
3383	3488
3635	3749
4007	4130
4207	4339
4106	4233
4436	4574
4924	5076
5168	5330

Pricing is continued on the following page.

U T W

Side Open Tower  
(Continued)

DIMENSIONS  
FOR MM X BY 25.4

PRICING

STANDARD (S)

FILE/FILE (F)

			SOURCE LAMINATE CASE		SEAMLESS CASE		
H	D	W	Source Lam. Front	Flintwood Front	Seamless Front	Flintwood Front	Veneer Front
42	19	16	1313	2045	2165	2557	2599
42	23	16	1368	2130	2259	2665	2708
42	29	16	1477	2301	2437	2876	2926
42	35	16	1551	2416	2559	3020	3072
51	19	16	1554	2423	2567	3029	3080
51	23	16	1671	2602	2757	3255	3307
51	29	16	1859	2896	3069	3620	3682
51	35	16	1952	3040	3221	3801	3866
66	19	16	1900	2959	3134	3701	3763
66	23	16	2051	3195	3385	3996	4062
66	29	16	2296	3574	3784	4464	4543
66	35	16	2410	3753	3976	4690	4771
			FLINTWOOD CASE		VENEER CASE		
H	D	W	Seamless Front	Flintwood Front	Seamless Front	Veneer Front	
42	19	16	2655	2707	2758	2842	
42	23	16	2768	2822	2875	2966	
42	29	16	2986	3048	3106	3199	
42	35	16	3134	3199	3260	3359	
51	19	16	3145	3207	3266	3369	
51	23	16	3377	3448	3510	3619	
51	29	16	3757	3834	3906	4026	
51	35	16	3946	4025	4100	4227	
66	19	16	3842	3921	3991	4116	
66	23	16	4150	4232	4309	4446	
66	29	16	4639	4733	4820	4969	
66	35	16	4870	4969	5060	5216	