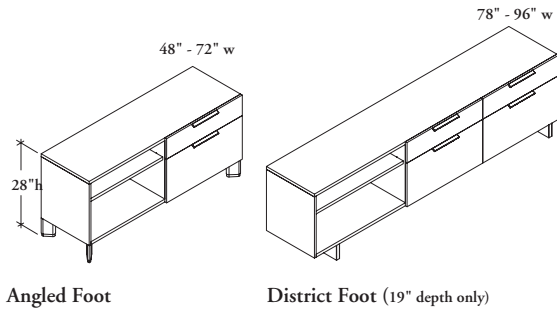


U H H E

High Open with Drawer Credenza – Elevated



The Elevated High Open Drawer Credenza provides both file storage and open binder storage, the capability to support worksurfaces, stackers and panels and the ability to route and provide access to power and data.

WHAT'S INCLUDED

1 credenza, 2 District feet or 4 angled feet (as specified), lock and keys (if specified), counterweight (if specified), grommets (if specified), 48" - 72" widths include 1 height-adjustable shelf, 1 box/file drawer and 2 pulls; 78" - 96" widths include 1 height-adjustable shelf, 2 box/file drawers and 4 pulls.

WHAT'S EXCLUDED

A Seat Cushion (UWLC) or Fitted Seated Cushion (UWLF) can be ordered separately. Can be found in the *Accessories* section.

NOTES

The 16" deep credenza **cannot** be specified with a District Foot (D).

Electrical Cut Out options are **not** available when the District Foot (D) is specified. (N) must be selected.

When Base Back Electrical Cut Out (B) option is specified, the cut out will appear on the back and the base of the drawer unit. When there are two drawers (78" - 96" w) the cut out will appear on the outside drawer unit (not the center drawer). If Base and Top Grommet (T) is specified, grommet will appear in the cubby.

Grommets are finished in Platinum.

PRODUCT OPTIONS

Drawer Combination	Depth	Width	Open Compartment Location	Pull Style	Pull Finish
X Box/File	16, 19	48, 54, 60, 66, 72, 78, 84, 90, 96	L Left (shown) R Right	D District R Rectangular	Foundation Mica

SAMPLE ORDER CODE

UHHE X	16	48	L	D	7
---------------	-----------	-----------	----------	----------	----------

PRODUCT OPTIONS CONTINUED

Case, Back & Front Finish	Foot Finish	Foot Style	Electrical Cut Out	Key Style	Counterweight
Source Laminate	Q Storm White	D District	B Base Back Cut Out	K Keyed Alike	1 Yes
Seamless Color	7 Platinum	A Angled Foot	T Base and Top Grommet	R Keyed Randomly	2 No
Flintwood	V Very White		N None	N No Lock	
Natural Veneer	X Anthracite				
	M Graphite				
	2 Burnished Bronze				

SAMPLE ORDER CODE CONTINUED

Case	Back	Front					
ZA	ZA	ZA	7	A	B	R	2

Pricing is continued on the following page.

U H H E
High Open with Drawer Credenza –
Elevated (Continued)

DIMENSIONS
INCHES / MM

D	W
16 / 406	48 / 1219
16 / 406	54 / 1372
16 / 406	60 / 1524
16 / 406	66 / 1676
16 / 406	72 / 1829
16 / 406	78 / 1981
16 / 406	84 / 2134
16 / 406	90 / 2286
16 / 406	96 / 2438
19 / 483	48 / 1219
19 / 483	54 / 1372
19 / 483	60 / 1524
19 / 483	66 / 1676
19 / 483	72 / 1829
19 / 483	78 / 1981
19 / 483	84 / 2134
19 / 483	90 / 2286
19 / 483	96 / 2438

PRICING

BOX/FILE (X)

SOURCE LAMINATE CASE

Source Lam. Back & Front	Source Lam. Back, Flintwood Front
2054	2519
2115	2600
2175	2683
2256	2883
2337	3083
2993	3635
3134	4020
3342	4187
n/a	n/a
2153	2647
2217	2735
2277	2820
2363	3031
2449	3238
3144	3823
3291	4226
3508	4405
n/a	n/a

SEAMLESS CASE

	Seamless Back & Front	Seamless Back, Flintwood Front	Seamless Back, Veneer Front	Flintwood Back, Seamless Front	Flintwood Back & Front	Veneer Back, Seamless Front	Veneer Back & Front
16 / 406	2775	3083	3133	3083	3388	3133	3493
16 / 406	2868	3185	3236	3185	3504	3236	3611
16 / 406	2957	3288	3341	3288	3617	3341	3728
16 / 406	3181	3536	3598	3536	3895	3598	4011
16 / 406	3404	3782	3850	3782	4166	3850	4298
16 / 406	4014	4472	4547	4472	4929	4547	5082
16 / 406	4444	4949	5034	4949	5457	5034	5625
16 / 406	4627	5159	5246	5159	5689	5246	5865
16 / 406	4771	5316	5410	5316	5863	5410	6047
19 / 483	2918	3243	3299	3243	3568	3299	3676
19 / 483	3013	3351	3408	3351	3687	3408	3801
19 / 483	3111	3458	3516	3458	3808	3516	3924
19 / 483	3343	3722	3781	3722	4097	3781	4224
19 / 483	3578	3982	4051	3982	4387	4051	4523
19 / 483	4225	4706	4786	4706	5188	4786	5349
19 / 483	4673	5208	5300	5208	5744	5300	5923
19 / 483	4870	5430	5524	5430	5991	5524	6175
19 / 483	5019	5597	5691	5597	6173	5691	6365

If Base Back Cut Out is specified, add 105
 If Base & Top Grommet is specified, add 208
 If Counterweight is specified, add 168

Pricing is continued on the following page.

U H H E

High Open with Drawer Credenza –
Elevated (Continued)

DIMENSIONS
INCHES / MM

PRICING

BOX/FILE (X)

FLINTWOOD CASE

D	W	Seamless Back & Front	Seamless Back, Flintwood Front	Flintwood Back, Seamless Front	Flintwood Back & Front
16 / 406	48 / 1219	3185	3387	3387	3592
16 / 406	54 / 1372	3307	3521	3521	3731
16 / 406	60 / 1524	3430	3650	3650	3871
16 / 406	66 / 1676	3747	3988	3988	4229
16 / 406	72 / 1829	4063	4329	4329	4589
16 / 406	78 / 1981	4779	5090	5090	5403
16 / 406	84 / 2134	5383	5736	5736	6091
16 / 406	90 / 2286	5639	6006	6006	6378
16 / 406	96 / 2438	5816	6198	6198	6579
19 / 483	48 / 1219	3350	3564	3564	3778
19 / 483	54 / 1372	3479	3703	3703	3925
19 / 483	60 / 1524	3607	3837	3837	4070
19 / 483	66 / 1676	3942	4196	4196	4450
19 / 483	72 / 1829	4275	4552	4552	4831
19 / 483	78 / 1981	5027	5354	5354	5683
19 / 483	84 / 2134	5664	6037	6037	6411
19 / 483	90 / 2286	5930	6321	6321	6713
19 / 483	96 / 2438	6120	6523	6523	6923

VENEER CASE

D	W	Seamless Back & Front	Seamless Back, Veneer Front	Veneer Back, Seamless Front	Veneer Back & Front
16 / 406	48 / 1219	3670	3801	3801	3930
16 / 406	54 / 1372	3812	3949	3949	4084
16 / 406	60 / 1524	3953	4096	4096	4234
16 / 406	66 / 1676	4323	4479	4479	4633
16 / 406	72 / 1829	4692	4859	4859	5028
16 / 406	78 / 1981	5523	5721	5721	5922
16 / 406	84 / 2134	6225	6451	6451	6678
16 / 406	90 / 2286	6522	6758	6758	6995
16 / 406	96 / 2438	6727	6971	6971	7216
19 / 483	48 / 1219	3860	3997	3997	4134
19 / 483	54 / 1372	4009	4153	4153	4299
19 / 483	60 / 1524	4158	4305	4305	4455
19 / 483	66 / 1676	4546	4711	4711	4876
19 / 483	72 / 1829	4935	5116	5116	5294
19 / 483	78 / 1981	5808	6021	6021	6231
19 / 483	84 / 2134	6550	6791	6791	7030
19 / 483	90 / 2286	6860	7111	7111	7360
19 / 483	96 / 2438	7079	7336	7336	7597

If Base Back Cut Out is specified, add 105

If Base & Top Grommet is specified, add 208

If Counterweight is specified, add 168