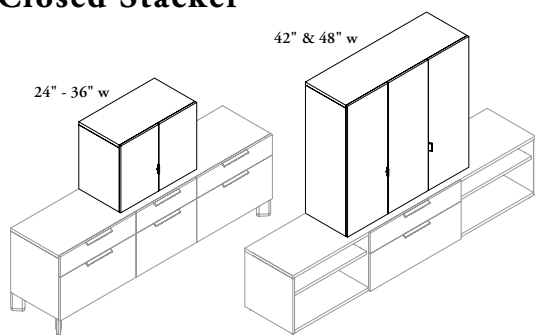


## UCC Closed Stacker



The Closed Stacker is a 16" deep closed cabinet that sits atop credenzas, towers and laterals to provide adjustable shelving and secured storage.

### WHAT'S INCLUDED

1 cabinet, single-hinged door(s) or a combination of single-hinged door and bi-folding doors (depending on width), height-adjustable shelves (depending on height), lock and keys (if specified).

### NOTES

For widths 24", 30" & 36", handedness will indicate which door will have the door handle and lock, for widths 42" & 48" handedness will indicate the location on the cabinet of the single hinged door (not the bi-fold).

Shelves are height-adjustable.

Height denotes height of the cabinet only and must be added to the height of the base unit (21" & 28" high credenzas or stretch pedestals or 36", 42" or 51" towers or lateral files) to get total height.

It is **not** recommended to stack units so that total height exceeds 66".

Stackers **cannot** be stacked on top of each other.

### PRODUCT OPTIONS

Height	Width	Handedness	Pull Style	Pull Finish	Case, Back & Front Finish	Key Style
23, 30, 38, 45	24, 30, 36, 42, 48	L Left R Right	D District R Rectangular	Foundation Mica	Source Laminate Seamless Color Flintwood Natural Veneer	K Keyed Alike R Keyed Randomly N No Lock

### SAMPLE ORDER CODE

UCC	23	42	L	D	7	Case	Back	Front	R
						ZA	ZA	ZA	

### DIMENSIONS INCHES / MM

H	W
23 / 584	24 / 610
23 / 584	30 / 762
23 / 584	36 / 914
23 / 584	42 / 1067
23 / 584	48 / 1219
30 / 762	24 / 610
30 / 762	30 / 762
30 / 762	36 / 914
30 / 762	42 / 1067
30 / 762	48 / 1219
38 / 965	24 / 610
38 / 965	30 / 762
38 / 965	36 / 914
38 / 965	42 / 1067
38 / 965	48 / 1219
45 / 1143	24 / 610
45 / 1143	30 / 762
45 / 1143	36 / 914
45 / 1143	42 / 1067
45 / 1143	48 / 1219

### PRICING

#### SOURCE LAMINATE CASE

Source Lam. Back & Front	Source Lam. Back, Flintwood Front
1035	1656
1095	1750
1257	2010
1604	2566
1765	2822
1121	1796
1181	1891
1344	2149
1690	2705
1850	2962
1208	1933
1267	2029
1430	2287
1777	2842
1937	3101
1296	2073
1364	2183
1521	2434
1912	3063
2071	3315

Pricing is continued on the following page.

**UCC**  
**Closed Stacker**  
**(Continued)**

**DIMENSIONS**  
**INCHES / MM**

**PRICING**

H	W
23 / 584	24 / 610
23 / 584	30 / 762
23 / 584	36 / 914
23 / 584	42 / 1067
23 / 584	48 / 1219
30 / 762	24 / 610
30 / 762	30 / 762
30 / 762	36 / 914
30 / 762	42 / 1067
30 / 762	48 / 1219
38 / 965	24 / 610
38 / 965	30 / 762
38 / 965	36 / 914
38 / 965	42 / 1067
38 / 965	48 / 1219
45 / 1143	24 / 610
45 / 1143	30 / 762
45 / 1143	36 / 914
45 / 1143	42 / 1067
45 / 1143	48 / 1219

**SEAMLESS CASE**

Seamless Back & Front	Seamless Back, Flintwood Front	Seamless Back, Veneer Front	Flintwood Back, Seamless Front	Flintwood Back & Front	Veneer Back, Seamless Front	Veneer Back & Front
1725	2070	2087	2070	2295	2087	2415
1823	2187	2207	2187	2425	2207	2552
2096	2514	2535	2514	2786	2535	2934
2673	3208	3234	3208	3554	3234	3742
2940	3529	3557	3529	3911	3557	4118
1869	2243	2261	2243	2486	2261	2617
1968	2361	2381	2361	2616	2381	2754
2240	2686	2709	2686	2977	2709	3137
2816	3380	3409	3380	3746	3409	3943
3085	3702	3734	3702	4104	3734	4319
2013	2415	2435	2415	2678	2435	2819
2111	2533	2554	2533	2807	2554	2956
2383	2861	2882	2861	3171	2882	3336
2962	3553	3583	3553	3938	3583	4145
3228	3874	3907	3874	4294	3907	4521
2160	2592	2614	2592	2873	2614	3024
2275	2730	2751	2730	3024	2751	3184
2536	3044	3069	3044	3373	3069	3551
3188	3829	3858	3829	4241	3858	4465
3452	4143	4178	4143	4590	4178	4834

**FLINTWOOD CASE**

Seamless Back & Front	Seamless Back, Flintwood Front	Flintwood Back, Seamless Front	Flintwood Back & Front
2064	2285	2261	2485
2179	2414	2389	2625
2375	2632	2604	2862
3069	3401	3364	3699
3417	3785	3745	4116
2218	2459	2432	2673
2334	2587	2560	2813
2530	2804	2774	3048
3173	3517	3479	3823
3521	3902	3861	4241
2530	2804	2774	3048
2647	2934	2902	3188
2841	3150	3115	3425
3537	3920	3877	4262
3883	4304	4258	4680
2750	3048	3015	3315
2897	3209	3174	3488
3090	3427	3390	3723
3875	4296	4250	4669
4073	4515	4466	4907

Pricing is continued on the following page.

**U C C**  
**Closed Stacker**  
**(Continued)**

**DIMENSIONS**  
**INCHES / MM**

**PRICING**

DIMENSIONS		VENEER CASE			
H	W	Seamless Back & Front	Seamless Back, Veneer Front	Veneer Back, Seamless Front	Veneer Back & Front
23 / 584	24 / 610	2068	2299	2351	2584
23 / 584	30 / 762	2184	2430	2485	2731
23 / 584	36 / 914	2379	2648	2707	2974
23 / 584	42 / 1067	3076	3422	3499	3844
23 / 584	48 / 1219	3425	3809	3897	4281
30 / 762	24 / 610	2223	2474	2529	2779
30 / 762	30 / 762	2340	2604	2662	2928
30 / 762	36 / 914	2536	2821	2883	3171
30 / 762	42 / 1067	3180	3538	3618	3975
30 / 762	48 / 1219	3532	3931	4017	4416
38 / 965	24 / 610	2536	2821	2883	3171
38 / 965	30 / 762	2653	2951	3017	3317
38 / 965	36 / 914	2848	3170	3241	3561
38 / 965	42 / 1067	3547	3944	4034	4432
38 / 965	48 / 1219	3895	4332	4429	4868
45 / 1143	24 / 610	2756	3068	3138	3446
45 / 1143	30 / 762	2902	3228	3300	3627
45 / 1143	36 / 914	3100	3447	3524	3873
45 / 1143	42 / 1067	3883	4322	4418	4855
45 / 1143	48 / 1219	4082	4543	4644	5105