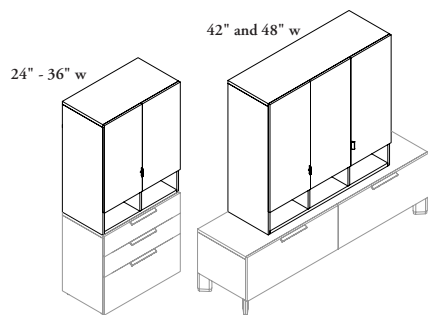


UCB

Closed Stacker with Cubbies



The Closed Stacker with Cubbies is a 16" deep closed cabinet that sits atop credenzas, to provide secured storage combined with open cubby space.

WHAT'S INCLUDED

1 cabinet with pulls (depending on width), lock and keys (if specified), 1 or 2 height-adjustable shelves (depending on height).

NOTES

The handedness of 24", 30" and 36" units refer to handle location. The handedness of 42" and 48" units is determined by the opening orientation of the bi-fold door.

Shelves are height-adjustable.

Height denotes height of the cabinet only and must be added to the height of the base unit (21" and 28" high credenzas or stretch pedestals or 36", 42" or 51" towers or lateral files) to get total height.

It is **not** recommended to stack units so that total height exceeds 66".

Stackers **cannot** be stacked on top of each other.

PRODUCT OPTIONS

Height	Width	Handedness	Pull Style	Pull Finish	Case, Back & Front Finish	Key Style
23, 30, 38, 45	24, 30, 36, 42, 48	L Left R Right	D District R Rectangular	Foundation Mica	Source Laminate Seamless Color Flintwood Natural Veneer	K Keyed Alike R Keyed Randomly N No Lock

SAMPLE ORDER CODE

					Case	Back	Front		
UCB 23	42	L	D	7	ZA	ZA	ZA	R	

DIMENSIONS  
INCHES / MM

H	W
23 / 584	24 / 610
23 / 584	30 / 762
23 / 584	36 / 914
23 / 584	42 / 1067
23 / 584	48 / 1219
30 / 762	24 / 610
30 / 762	30 / 762
30 / 762	36 / 914
30 / 762	42 / 1067
30 / 762	48 / 1219
38 / 965	24 / 610
38 / 965	30 / 762
38 / 965	36 / 914
38 / 965	42 / 1067
38 / 965	48 / 1219
45 / 1143	24 / 610
45 / 1143	30 / 762
45 / 1143	36 / 914
45 / 1143	42 / 1067
45 / 1143	48 / 1219

PRICING

SOURCE LAMINATE CASE

Source Lam. Back & Front	Source Lam. Back, Flintwood Front
1323	1794
1398	1896
1604	2178
2049	2776
2256	3056
1433	1945
1509	2046
1719	2323
2158	2926
2366	3205
1545	2092
1621	2194
1827	2472
2269	3074
2474	3353
1657	2242
1744	2361
1944	2638
2446	3311
2647	3585

Pricing is continued on the following page.

**U C B**  
**Closed Stacker with Cubbies**  
**(Continued)**

**DIMENSIONS**  
**INCHES / MM**

**PRICING**

H	W
23 / 584	24 / 610
23 / 584	30 / 762
23 / 584	36 / 914
23 / 584	42 / 1067
23 / 584	48 / 1219
30 / 762	24 / 610
30 / 762	30 / 762
30 / 762	36 / 914
30 / 762	42 / 1067
30 / 762	48 / 1219
38 / 965	24 / 610
38 / 965	30 / 762
38 / 965	36 / 914
38 / 965	42 / 1067
38 / 965	48 / 1219
45 / 1143	24 / 610
45 / 1143	30 / 762
45 / 1143	36 / 914
45 / 1143	42 / 1067
45 / 1143	48 / 1219

**SEAMLESS CASE**

Seamless Back & Front	Seamless Back, Flintwood Front	Seamless Back, Veneer Front	Flintwood Back, Seamless Front	Flintwood Back & Front	Veneer Back, Seamless Front	Veneer Back & Front
2110	2404	2447	2491	2785	2491	2829
2229	2541	2586	2629	2942	2629	2986
2560	2918	2970	3021	3379	3021	3430
3266	3724	3788	3854	4310	3854	4377
3597	4098	4171	4243	4745	4243	4818
2290	2608	2655	2700	3020	2700	3066
2408	2744	2793	2839	3180	2839	3227
2735	3117	3171	3228	3609	3228	3664
3443	3924	3994	4060	4543	4060	4611
3773	4300	4375	4451	4980	4451	5054
2462	2808	2856	2932	3300	2955	3348
2582	2943	2993	3072	3458	3096	3510
2908	3313	3375	3460	3898	3491	3956
3616	4123	4196	4302	4845	4339	4919
3947	4498	4577	4694	5288	4736	5368
2639	3008	3060	3192	3586	3244	3643
2777	3166	3224	3360	3777	3417	3833
3103	3536	3599	3754	4221	3813	4280
3898	4445	4522	4716	5302	4795	5378
4221	4810	4894	5103	5736	5189	5821

**FLINTWOOD CASE**

Seamless Back & Front	Seamless Back, Flintwood Front	Flintwood Back, Seamless Front	Flintwood Back & Front		
23 / 584	24 / 610	2520	2794	2885	3037
23 / 584	30 / 762	2663	2954	3049	3210
23 / 584	36 / 914	2901	3218	3320	3497
23 / 584	42 / 1067	3752	4157	4297	4521
23 / 584	48 / 1219	4176	4629	4780	5030
30 / 762	24 / 610	2696	2987	3085	3252
30 / 762	30 / 762	2837	3148	3252	3419
30 / 762	36 / 914	3171	3513	3629	3820
30 / 762	42 / 1067	3852	4269	4409	4642
30 / 762	48 / 1219	4190	4644	4796	5048
38 / 965	24 / 610	3196	3619	3829	4205
38 / 965	30 / 762	3368	3810	4030	4428
38 / 965	36 / 914	3145	3558	3766	4135
38 / 965	42 / 1067	3809	4307	4561	5011
38 / 965	48 / 1219	4121	4661	4931	5419
45 / 1143	24 / 610	3773	4340	4546	5166
45 / 1143	30 / 762	3971	4569	4784	5439
45 / 1143	36 / 914	3254	3738	3917	4452
45 / 1143	42 / 1067	3927	4522	4736	5380
45 / 1143	48 / 1219	4228	4865	5097	5794

Pricing is continued on the following page.

**U C B**

**Closed Stacker with Cubbies  
(Continued)**

**DIMENSIONS  
INCHES / MM**

**PRICING**

DIMENSIONS		PRICING			
INCHES / MM		VENEER CASE			
H	W	Seamless Back & Front	Seamless Back, Veneer Front	Veneer Back, Seamless Front	Veneer Back & Front
23 / 584	24 / 610	2542	2854	2913	3101
23 / 584	30 / 762	2686	3013	3080	3276
23 / 584	36 / 914	2928	3284	3354	3572
23 / 584	42 / 1067	3782	4246	4339	4616
23 / 584	48 / 1219	4211	4726	4830	5135
30 / 762	24 / 610	2757	3093	3159	3364
30 / 762	30 / 762	2901	3258	3328	3538
30 / 762	36 / 914	3238	3636	3715	3952
30 / 762	42 / 1067	3930	4411	4504	4795
30 / 762	48 / 1219	4263	4782	4886	5200
38 / 965	24 / 610	2934	3334	3447	3664
38 / 965	30 / 762	3085	3510	3626	3856
38 / 965	36 / 914	3418	3887	4017	4272
38 / 965	42 / 1067	4134	4705	4858	5171
38 / 965	48 / 1219	4468	5082	5249	5583
45 / 1143	24 / 610	3133	3568	3728	3966
45 / 1143	30 / 762	3299	3756	3924	4174
45 / 1143	36 / 914	3627	4132	4314	4590
45 / 1143	42 / 1067	4381	4990	5213	5546
45 / 1143	48 / 1219	4716	5373	5610	5969