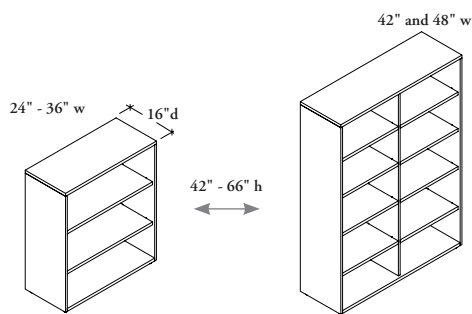


UBKS

Bookcase – Standard



The Standard Bookcase provides height-adjustable shelves for binder storage in addition to a base to support most Stackers. It can also be used to support panels.

WHAT'S INCLUDED

1 cabinet;

Adjust. Shelves	24" - 36" w	42" and 48" w
42" h	2	4
51" h	3	6
66" h	4	8

Extra kit that contains two 1-1/4" levelers and two 1-3/4" levelers will be shipped with the storage.

NOTES

Bookcases **cannot** be stacked on top of other base units, must use Open Stackers.

PRODUCT OPTIONS

Height	Width	Case & Back Finish
42, 51, 66	24, 30, 36, 42, 48	Source Laminate Seamless Color Flintwood Natural Veneer

SAMPLE ORDER CODE

		Case	Back
UBKS 42	30	HL	HL

**DIMENSIONS
INCHES / MM**

H	W
42 / 1067	24 / 610
42 / 1067	30 / 762
42 / 1067	36 / 914
42 / 1067	42 / 1067
42 / 1067	48 / 1219
51 / 1295	24 / 610
51 / 1295	30 / 762
51 / 1295	36 / 914
51 / 1295	42 / 1067
51 / 1295	48 / 1219
66 / 1676	24 / 610
66 / 1676	30 / 762
66 / 1676	36 / 914
66 / 1676	42 / 1067
66 / 1676	48 / 1219

PRICING

SOURCE LAMINATE CASE

Source Lam. Back
1042
1088
1125
1239
1302
1088
1131
1176
1291
1354
1320
1380
1433
1578
1658

SEAMLESS CASE

Seamless Back	Flintwood Back	Veneer Back
1292	1873	1937
1500	2178	2254
1720	2492	2577
1935	2808	2904
2154	3124	3231
1506	2182	2259
1749	2536	2623
1955	2835	2934
2174	3151	3259
2391	3467	3585
1760	2552	2641
2004	2906	3007
2194	3182	3292
2382	3455	3575
2572	3729	3858

Pricing is continued on the following page.

U B K S
Bookcase – Standard
(Continued)

DIMENSIONS
INCHES / MM**PRICING**

		FLINTWOOD CASE		VENEER CASE	
		Seamless Back	Flintwood Back	Seamless Back	Veneer Back
H	W				
42 / 1067	24 / 610	1984	2337	2031	2360
42 / 1067	30 / 762	2459	2893	2512	2921
42 / 1067	36 / 914	2971	3497	3037	3531
42 / 1067	42 / 1067	3485	4098	3559	4137
42 / 1067	48 / 1219	3995	4699	4083	4746
51 / 1295	24 / 610	2278	2682	2330	2707
51 / 1295	30 / 762	2792	3282	2854	3316
51 / 1295	36 / 914	3328	3912	3401	3952
51 / 1295	42 / 1067	3837	4516	3923	4561
51 / 1295	48 / 1219	4348	5119	4446	5168
66 / 1676	24 / 610	2784	3275	2844	3307
66 / 1676	30 / 762	3279	3858	3351	3898
66 / 1676	36 / 914	3776	4444	3858	4486
66 / 1676	42 / 1067	4271	5025	4368	5076
66 / 1676	48 / 1219	4769	5608	4870	5662