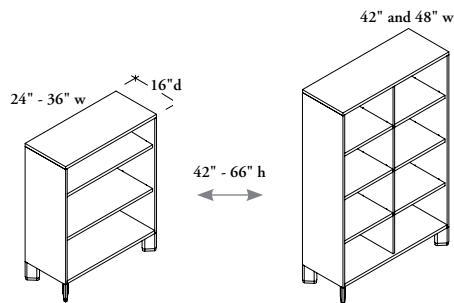


UBKE

Bookcase – Elevated



The Elevated Bookcase provides height-adjustable shelves for binder storage in addition to a base to support most Stackers. It can also be used to support panels.

WHAT'S INCLUDED

1 cabinet, 4 angled feet, grommet (if specified);

Adjust. Shelves	24" - 36" w	42" and 48" w
42" h	2	4
51" h	2	4
66" h	3	6

NOTES

Bookcases **cannot** be stacked on top of other base units, must use Open Stackers.

24", 30" and 36" wide bookcases **cannot** be specified with Electrical Cut Out (GL and GR) options.

42" and 48" wide bookcases **cannot** be specified with Electrical Cut Out (GC) option.

Grommets are finished in Platinum.

PRODUCT OPTIONS

Height	Width	Case & Back Finish	Foot Finish	Electrical Cut Out
42, 51, 66	24, 30, 36, 42, 48	Source Laminate Seamless Color Flintwood Natural Veneer	Q Storm White 7 Platinum V Very White X Anthracite M Graphite 2 Burnished Bronze	GL Base Grommet, Left GR Base Grommet, Right GC Base Grommet, Center NN None

SAMPLE ORDER CODE

		Case	Back		
UBKE 42	42	HL	HL	Q	GL

**DIMENSIONS
INCHES / MM**

H	W
42 / 1067	24 / 610
42 / 1067	30 / 762
42 / 1067	36 / 914
42 / 1067	42 / 1067
42 / 1067	48 / 1219
51 / 1295	24 / 610
51 / 1295	30 / 762
51 / 1295	36 / 914
51 / 1295	42 / 1067
51 / 1295	48 / 1219
66 / 1676	24 / 610
66 / 1676	30 / 762
66 / 1676	36 / 914
66 / 1676	42 / 1067
66 / 1676	48 / 1219

PRICING

SOURCE LAMINATE CASE

Source Lam. Back
1088
1132
1165
1266
1322
1132
1169
1207
1312
1369
1338
1393
1441
1570
1642

SEAMLESS CASE

Seamless Back	Flintwood Back	Veneer Back
1313	1837	1896
1500	2109	2176
1696	2393	2469
1894	2677	2764
2088	2962	3057
1505	2113	2183
1724	2432	2511
1908	2702	2788
2105	2984	3082
2302	3270	3378
1734	2447	2527
1953	2766	2856
2125	3013	3112
2295	3259	3367
2464	3506	3622

If Grommet is specified, add 132

Pricing is continued on the following page.

U B K E
Bookcase – Elevated
(Continued)

DIMENSIONS
INCHES / MM

H	W
42 / 1067	24 / 610
42 / 1067	30 / 762
42 / 1067	36 / 914
42 / 1067	42 / 1067
42 / 1067	48 / 1219
51 / 1295	24 / 610
51 / 1295	30 / 762
51 / 1295	36 / 914
51 / 1295	42 / 1067
51 / 1295	48 / 1219
66 / 1676	24 / 610
66 / 1676	30 / 762
66 / 1676	36 / 914
66 / 1676	42 / 1067
66 / 1676	48 / 1219

PRICING**FLINTWOOD CASE**

Seamless Back	Flintwood Back
1937	2252
2363	2754
2826	3297
3285	3838
3745	4379
2202	2564
2661	3106
3144	3674
3606	4215
4066	4754
2654	3099
3102	3622
3549	4147
3996	4674
4440	5198

VENEER CASE

Seamless Back	Veneer Back
1976	2275
2412	2780
2882	3329
3353	3874
3824	4423
2247	2587
2718	3137
3210	3708
3680	4254
4150	4802
2710	3127
3166	3657
3622	4187
4079	4717
4533	5249

If Grommet is specified, add 132