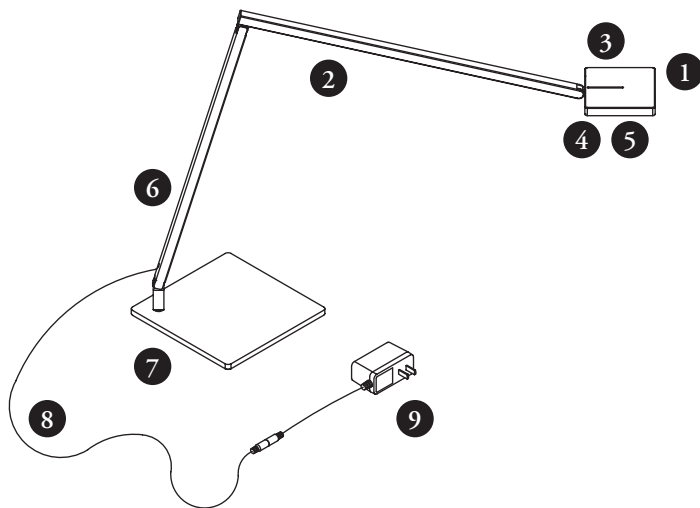


## focaccia task light overview

The Focaccia Task Light by Koncept provides a sleek and modern lighting solution for any workspace. Available in both single and double arm versions, this highly adjustable task light is both functional and stylish.

The combination of both continuous dimming along with a smooth range of light color temperature adjustment, allows the user to create a personalized and functional environment. The user plays a role in shaping their lighting experience, and promoting their well being.

The articulating head of the Focaccia Task Light can be easily positioned to function as a Video Conferencing Light. The ability to adjust the light output allows the user to personalize their video conferencing aesthetic, and adjust the lighting if conditions within the space change.



- 1 LED Light Engine
- 2 Reach
- 3 Touchstrip Dimmer and On/Off
- 4 Occupancy Sensor
- 5 Color Temperature Adjustment
- 6 USB-C Port
- 7 Freestanding Base
- 8 External Power Cord
- 9 DC Connection

Double Arm shown

**Color Temperature Adjustment:** From 2700K to 5000K

**Lumens:** 460

**Color Rendering Index:** 90+

**LED Lifespan:** 60,000 Hours

**Energy Consumption:** 7W

**Dimming:** Continuous Dimming (touchstrip)

**Occupancy Sensor:** Standard

**USB-C Port:** Standard, 7.5W for mobile device charging

**Safety Rating:** C-UL-US Certified

**Material:** Aluminum, Plastic

**Warranty:** 5 Years

**Voltage:** 100-240V

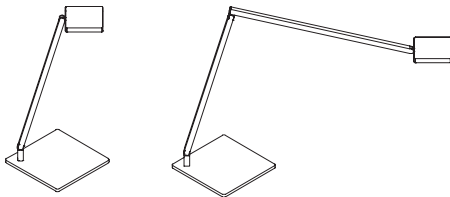
**Finishes:** Matte Black, Matte White, Silver

## focaccia task light basics



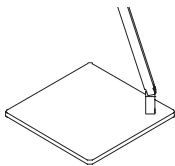
### Finishes

- Konzept Matte White
- Konzept Silver
- Konzept Matte Black



### Focaccia Task Light (YLFT)

Available in three base styles.



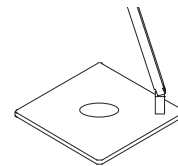
#### Freestanding Base

- The 6.6" x 6.6" freestanding base is designed to be discreetly used in any setting



#### Edge Clamp

- The two piece edge clamp can be used in areas where extra space is needed. It can be mounted to surfaces between 3/4" and 2" thick, however it should not be used on knife or bevel edges

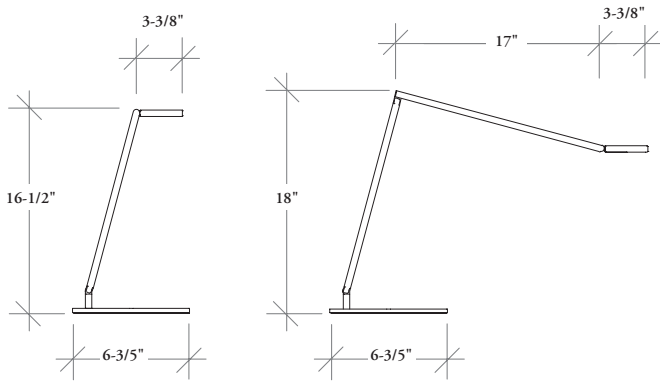


#### Freestanding Base with Wireless Charging Integrated

- Powered by the USB-C port, the wireless charging base will provide an opportunity to quickly charge enabled devices

## planning with focaccia task lights

### overall dimensions



### clamp mount placement

When installing the clamp mount in the 34" working area, be careful to avoid interferences with monitors or laptops.

