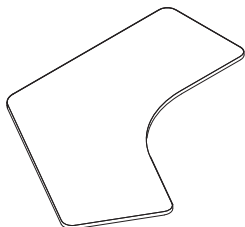


**WJN** **Xpress**

## Height-Adjustable Worksurface with Radius Corners for Navigate 120



The Height-Adjustable Worksurface for Navigate 120 is for use with the Navigate 120 Height-Adjustable Freestanding Table Base Only to create a complete Navigate 120 Height-Adjustable Freestanding table.

### What's Included

1 worksurface, cut outs (if specified), mounting hardware.

### Notes

Worksurface includes only a cut out in the worksurface. The proper grommet for each cut out style must be ordered separately.

**Xpress** Surface Finish Flintwood and Natural Veneer, Edge Trim Style Flat with Flintwood & Natural Veneer (9), and Full Knife (H) are excluded from *Teknion's Xpress Program*.

### OPTIONS

Application	Base Mechanism	Actual Depth	Actual Width	Cut Out Style
CCC C-Leg	<b>7S</b> Standard Electric (27"-43") <b>9C</b> Extended Electric-Restricted (25"-48 7/10") <b>9E</b> Extended Electric-Extended (22 3/5"-48 7/10")	23, 29	46, 52, 58	<b>N</b> None <b>G</b> Round (2.75" Diameter) <b>R</b> Rectangular (Diamond Shaped Cut out)

### SAMPLE ORDER CODE

<b>WJN CCC</b>	<b>7S</b>	<b>29</b>	<b>58</b>	<b>G</b>
----------------	-----------	-----------	-----------	----------

### OPTIONS (CONTINUED)

Leg Cut Out Location	Surface Finish	Edge Trim Style	Edge Trim Finish
<b>N</b> None	Source Laminate	<b>2</b> Bullnose Trim	Edge Trim Colors
<b>C</b> Center	Foundation Laminate	<b>6</b> Straight Trim	
<b>L</b> Left	Grade 2 Laminate	<b>8</b> Flat Trim	
<b>R</b> Right	Flintwood	<b>9</b> Flintwood Flat Trim	
<b>B</b> Left & Right	Natural Veneer	<b>H</b> Flintwood Full Knife Trim	
<b>A</b> Center & Left			
<b>D</b> Center & Right			
<b>E</b> Center, Left & Right			

### SAMPLE ORDER CODE (CONTINUED)

<b>R</b>	<b>LW</b>	<b>8</b>	<b>ST</b>
----------	-----------	----------	-----------

See Pricing on the following page.

# Height-Adjustable Worksurface with Radius Corners for Navigate 120 (Continued)

**DIMENSIONS**  
INCHES / MM

D	W
23 / 584	46 / 1168
23 / 584	52 / 1320
23 / 584	58 / 1473
29 / 737	46 / 1168
29 / 737	52 / 1320
29 / 737	58 / 1473

**PRICING**

**NO CUT OUT (NN)**

SOURCE LAMINATE	FOUNDATION LAMINATE				GRADE 2 LAMINATE	FLINTWOOD		NATURAL VENEER	
	Straight Edge	Flat Edge	Straight Edge	Bullnose Edge	Flat Edge	Flat Edge	Full Knife Edge	Flat Edge	Full Knife Edge
1015	1137	1160	1338	1499	1320	2516	2896	2648	3038
1041	1285	1310	1512	1731	1557	2856	3287	3006	3451
1067	1315	1341	1549	1773	1588	2926	3367	3194	3667
1129	1189	1211	1398	1564	1531	2736	3158	2886	3313
1343	1926	1964	2267	2560	2267	3030	3488	3189	3659
1374	1959	1997	2306	2602	2301	3391	3912	3576	4103

**CENTER & LEFT (A), CENTER & RIGHT (D), LEFT & RIGHT (B) CUT OUT**

SOURCE LAMINATE	FOUNDATION LAMINATE				GRADE 2 LAMINATE	FLINTWOOD		NATURAL VENEER	
	Straight Edge	Flat Edge	Straight Edge	Bullnose Edge	Flat Edge	Flat Edge	Full Knife Edge	Flat Edge	Full Knife Edge
1102	1225	1248	1426	1588	1408	2605	2983	2735	3126
1129	1373	1396	1599	1817	1645	2945	3376	3094	3538
1153	1403	1429	1635	1860	1675	3013	3456	3282	3754
1218	1275	1298	1486	1651	1618	2824	3245	2975	3402
1431	2013	2051	2352	2648	2353	3118	3576	3276	3746
1461	2046	2085	2394	2689	2389	3480	4000	3664	4190

**CENTER (C), RIGHT (R), LEFT (L) CUT OUT**

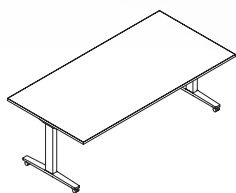
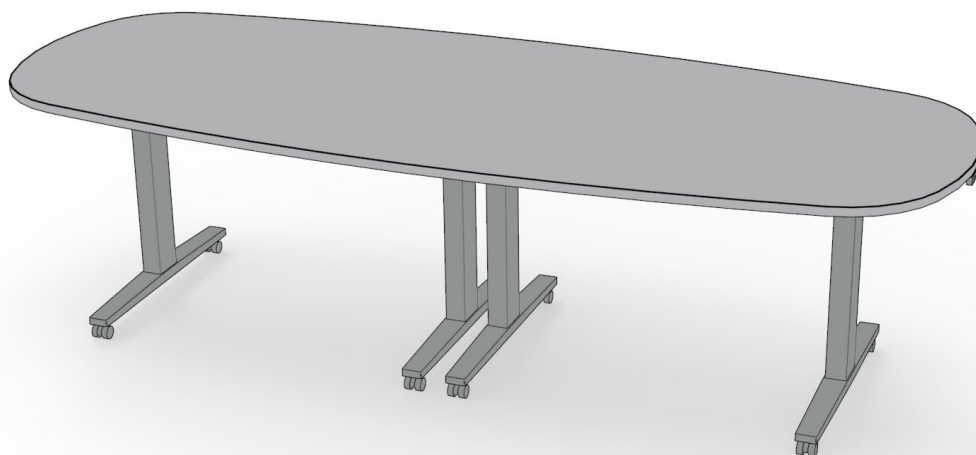
SOURCE LAMINATE	FOUNDATION LAMINATE				GRADE 2 LAMINATE	FLINTWOOD		NATURAL VENEER	
	Straight Edge	Flat Edge	Straight Edge	Bullnose Edge	Flat Edge	Flat Edge	Full Knife Edge	Flat Edge	Full Knife Edge
1060	1181	1203	1381	1543	1364	2560	2940	2691	3082
1085	1328	1354	1556	1775	1600	2900	3332	3049	3494
1110	1358	1385	1592	1816	1630	2971	3411	3239	3709
1173	1232	1255	1441	1607	1575	2780	3201	2930	3358
1387	1969	2006	2310	2605	2310	3073	3532	3232	3703
1417	2002	2041	2349	2644	2345	3435	3955	3619	4149

**CENTER, LEFT & RIGHT (E) CUT OUT**

SOURCE LAMINATE	FOUNDATION LAMINATE				GRADE 2 LAMINATE	FLINTWOOD		NATURAL VENEER	
	Straight Edge	Flat Edge	Straight Edge	Bullnose Edge	Flat Edge	Flat Edge	Full Knife Edge	Flat Edge	Full Knife Edge
1146	1268	1289	1469	1630	1450	2648	3028	2778	3170
1173	1416	1440	1643	1861	1688	2988	3420	3137	3580
1197	1446	1471	1680	1904	1719	3058	3498	3325	3797
1259	1318	1342	1529	1695	1661	2868	3287	3018	3444
1475	2057	2094	2397	2691	2398	3162	3619	3320	3790
1506	2089	2129	2437	2733	2432	3522	4043	3706	4234

## navigate height-adjustable meeting tables basics (YRH)

Navigate Height-Adjustable Meeting Tables allow users to change their posture from sitting to standing when meeting.



**Navigate Height-Adjustable Meeting Table (YRH)**

- **Surface Shape:**
  - Boat, Rectangular, Oval
- **Base Mechanism:**
  - Fixed Height
  - Standard Electric
- **Actual Depth:**
  - 36", 42"
- **Actual Width:**
  - 72", 78", 84", 96", 108", 120"
- **Switch Style:**
  - Standard Up/Down
  - Display with Up/Down Memory
- Available with power and data flip top cut out if specified
- Available with levelers/casters
- Available with Vertical Wire Carrier (YEEE)

### Navigate Finishes

- **Work-surface Finish:**
  - Foundation Laminate, Flintwood, Natural Veneer
- **Base Finish:**
  - Foundation , Mica & Accent
- **Switch Finish:**
  - Ebony Coordinate

This chart explains the availability of depths of the Navigate Height-Adjustable Meeting Table for respective widths.

Width	Depth	
	36"	42"
72"	✓	✗
78"	✓	✓
84"	✓	✓
96"	✓	✓
108"	✗	✓
120"	✗	✓