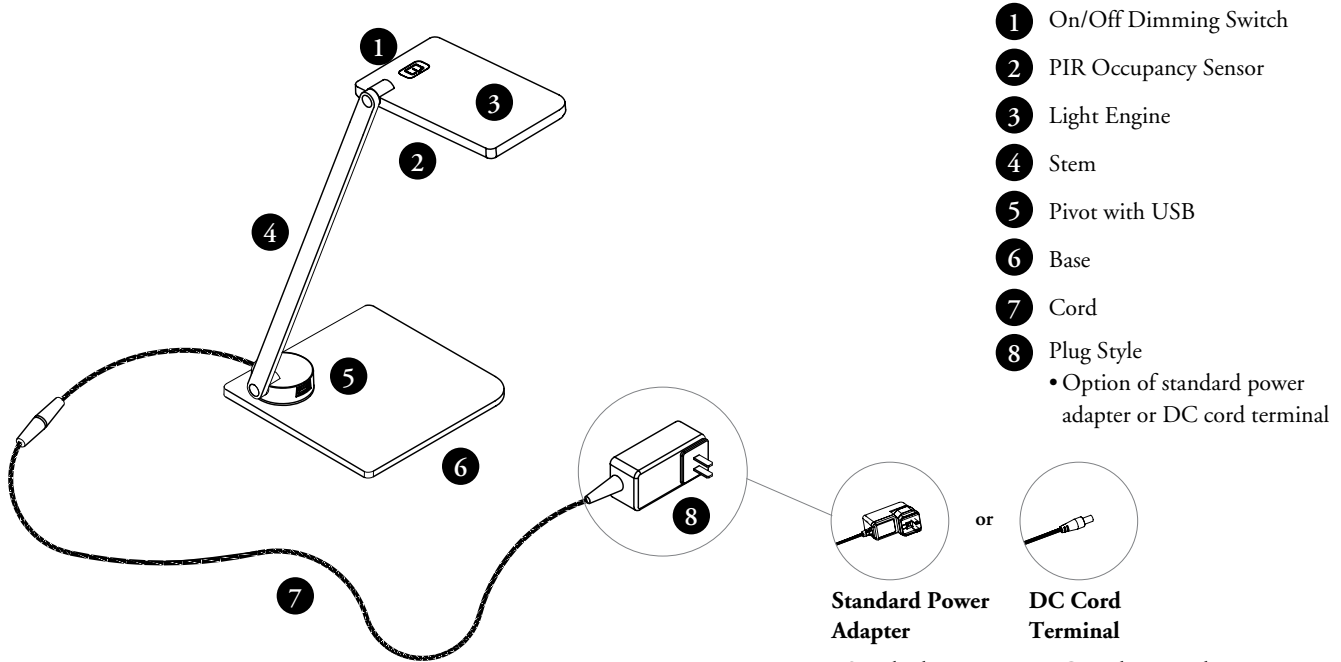


tangent task light overview



- 1 On/Off Dimming Switch
- 2 PIR Occupancy Sensor
- 3 Light Engine
- 4 Stem
- 5 Pivot with USB
- 6 Base
- 7 Cord
- 8 Plug Style
 - Option of standard power adapter or DC cord terminal

Standard Power Adapter

- Standard Power Adapter plugs into a standard outlet

DC Cord Terminal

- DC cord terminal plugs into the DC Hub

Finished in Very White

On/Off Dimming Switch

- 100%, 50% and Off

LED Light Engine/Stem Base

- Finished in Very White

External Cord

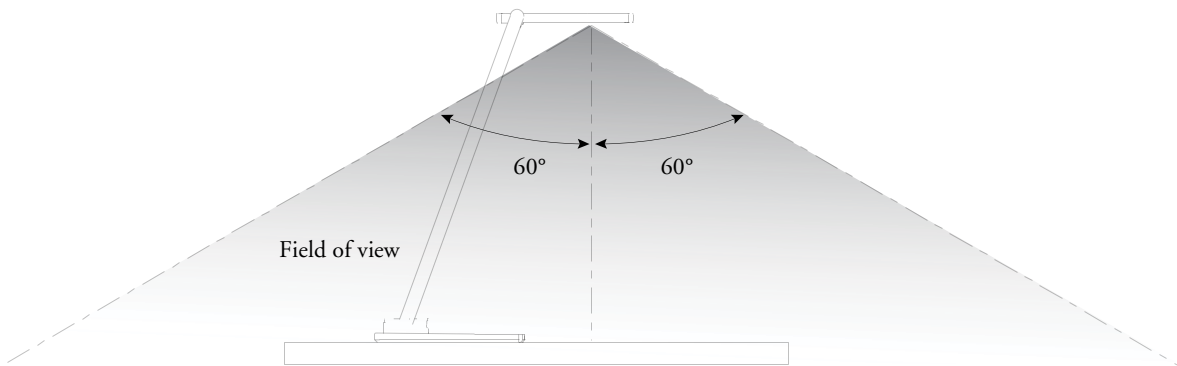
- 9' Cord finished in Very White Coordinate

Pivot with USB

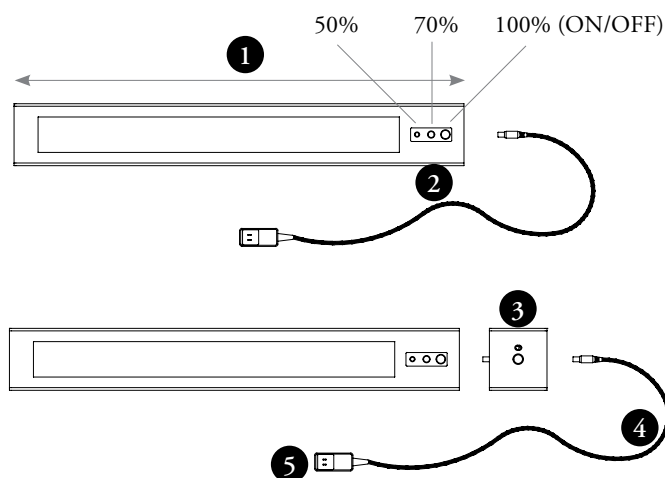
- 5 VDC 2A output
- 360° swivel

When a temperature change is detected in the field of view, the PIR shut-off timer resets to 20 minutes.

PIR occupancy sensor field of view



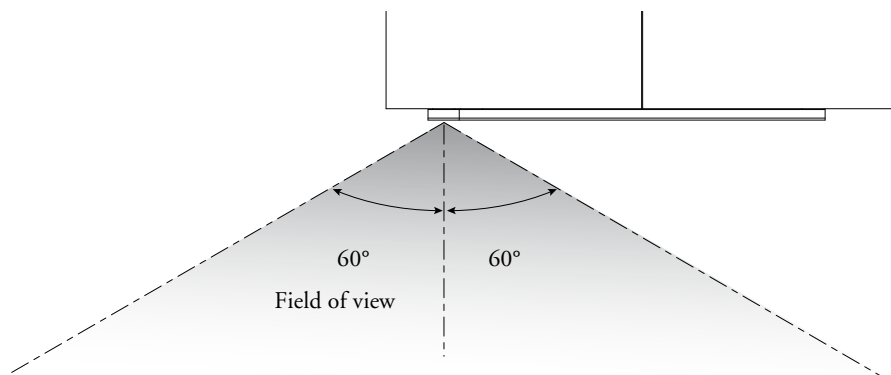
tangent undercabinet light overview



- 1 Light Engine width
- 2 Dimming Switch 0%, 50%, 100%
- 3 PIR Occupancy Sensor (Optional)
- 4 Cord
- 5 Power Adapter

*All Finished in Clear Anodized

PIR occupancy sensor field of view



When a temperature change is detected in the field of view, the PIR shut-off timer resets to 20 minutes.

Actual vs. Nominal widths

	24	36	48
Nominal	24	36	48
Actual Length*	20 + 3	31 + 3	41 + 3
Use with Cabinet Width	24, 30	36, 42	48, 54, 60
Luminosity (lm)	500	750	900
Power Consumption (w)	10	15	18

*3" addition for optional occupancy sensor.

* Please order a mock-up or request a tech spec review to ensure that the 24" W overhead and 24" light are without interference.