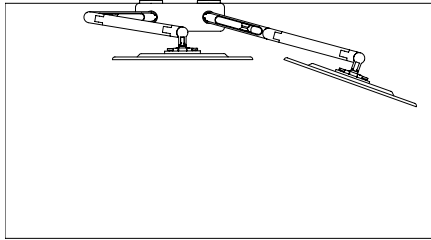


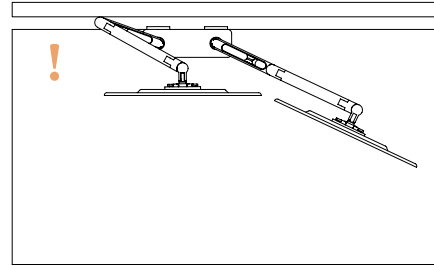
swerv monitor arm positioning with monitor sizes

Swerv Monitor Arm is designed to suit many planning scenarios. The following outlines monitor arm solutions recommended for typical worksurface sizes and applications.



Assumptions

- Average distance from front edge of desk to monitor is 19/20"
- Angle of Monitor is 20°
- Monitor sizes are 16:9 Ratio with a 1/2" bezel



Assumptions

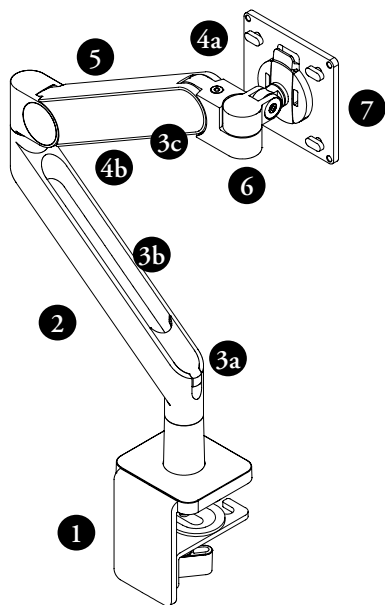
- Monitor Arm cannot exceed the back edge of the worksurface (Desk Edge Screens will likely be present)
- Planning with Swerv Monitor Arms and panels or desk edge screens should be taking into consideration, as it may prevent full 360° swivel movement

Monitor Size	Swerv'd Primary/Secondary			Center "V"			Swerv'd "V"			Split Swerv		
	Worksurface Depths			Worksurface Depths			Worksurface Depths			Worksurface Depths		
	24"	30"	36"	24"	30"	36"	24"	30"	36"	24"	30"	36"
19"	✓	✓	!	!	!	✓	!	✓	✓	✓	✓	✓
20"	✓	✓	!	!	!	✓	!	✓	✓	✓	✓	✓
21"	✓	✓	!	!	!	✓	!	✓	✓	✓	✓	✓
22"	✓	✓	!	!	!	✓	!	✓	✓	✓	✓	✓
23"	✓	!	✗	!	!	✓	✗	✓	✓	✓	✓	✓
24"	✗	!	✗	!	!	✓	✗	!	✓	✓	✓	✓
27"	✗	!	✗	✗	!	✓	✗	!	✓	✓	✓	✓
30"	✗	!	✗	✗	!	✓	✗	!	✓	✓	✓	✓

swerv monitor arm overview

Swerv is ready to make users move in their workstations with style. Move easy. Work well. Using a monitor really can look and feel this good.

swerv dynamic arm



1 Mounting Option
Available with the 3-in-1 Swerv Smart Clamp that includes Edge Clamp (shown), Round Grommet and Thru Mounts. Diamond Grommet version that integrates with upStage, HAB, Cityline and Expansion Desking is also available. Both single and dual arms are available to be mounted with Swerv smart clamp or Diamond Grommet.

2 Reach Arm
Highlighted by its hollow body, the reach arm calls out to its sister product, Sanna Lightbar for its inspiration and unique ability to manage and guide wires. The Reach Arm can be configured to have 180° rotation stops or have full 360° rotation.

3 Wire Management
Wires still exist and Swerv moves with them to be freely driven to new positions without interference

3a A removable cap unveils a pass through between the reach arm and the post

3b Integrated into the hollow reach arm, the reach clip helps to create Swerv's signature cord curve from the upper adjustment arm to the reach

3c Raceway. The initial connection between cables and arm is critical for establishing slack for turning and clean aesthetics

4 Weight Balancing (5-12 lbs)
Swerv is highlighted with a patent pending weight balancing mechanism similar to the patented counterbalance table mechanism

4a Macro Adjuster. Used to balance the weight of the monitor.

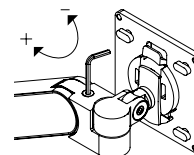
4b Micro Adjuster. Used to dial-in an exact user "feel" for the arm/monitor movement

5 Adjustment Arm

- 10" up/down height-adjustment
- 20 1/2" focal depth adjustment (total arm)
- Balances monitors between 5 and 12 lbs
- Conceals the Macro Adjuster behind the monitor

6 Swivel/Tilt Head

- 270° swivel rotation
- 135° tilting for standard and bifocal viewing angles



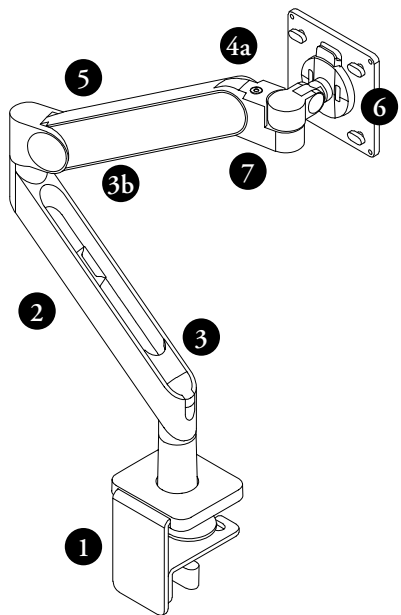
7 Monitor Mount
Quick Release VESA Plate

- 75/75 and 100/100
- 185° portrait to landscape rotation
- Quick Release tab allows for intuitive release of monitor from the arm

swerv monitor arm HD overview

Swerv HD is a larger version of the standard Swerv monitor arm. Swerv HD provides the ability to support single heavier monitors or support dual monitors using a single arm.

swerv monitor arm HD

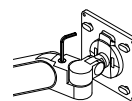


- 1 Mounting Option**
Swerv HD uses the Swerve Smart Clamp (Edge Clamp, Round Grommet and Thru Mount) or the Diamond Grommet (upStage, Expansion, HAB). Desk Edge Mount works on worksurfaces between 3/4" and 1-1/2" thick. Unique to Swerv HD, both adjustment allen keys are conveniently stored under the top cover plate.
- 2 Reach Arm**
Highlighted by its hollow body, the reach arm calls out to its sister product, Sanna Lightbar for its inspiration and unique ability to manage and guide wires.
- 3 Wire Management**
Wires still exist and Swerve HD moves with them to be freely driven to new positions without interference. A removable cap unveils a pass through between the reach arm and the post.
- 3a** Integrated into the hollow reach arm, the reach clip helps to create Swerve HD's signature cord curve from the upper adjustment arm to the reach Raceway.
- 3b** The initial connection between cables and arm is critical for establishing slack for turning and clean aesthetics.
- 4 Weight Balancing (8-20 lbs)**
Swerve HD is highlighted with a patent pending weight balancing mechanism similar to the patented counterbalance table mechanism.
- 4a** Macro Adjuster. Used to balance the weight of the monitor.
- 5 Adjustment Arm**

 - 10" up/down height-adjustment 20-1/2" focal depth adjustment (total arm)
 - Balances monitors between 8 – 20 lbs (flat screen) or 8 – 14 lbs (curved screen)
 - Conceals the Macro Adjuster behind the monitor
- 6 Swivel/Tilt Head**

 - 360° swivel rotation
 - 135° tilting for standard and bifocal viewing angles
- 7 Monitor Mount Quick Release VESA Plate**

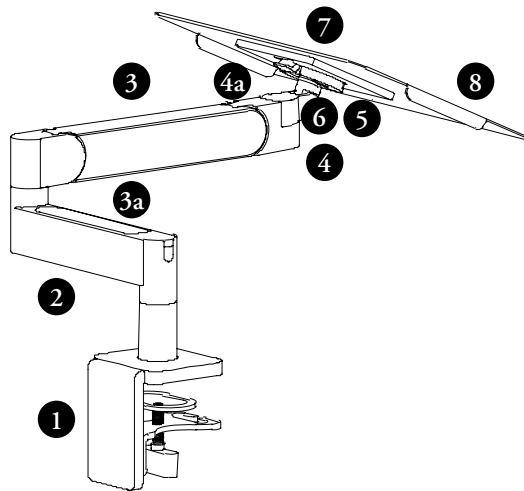
 - 75/75 and 100/100
 - 185° portrait to landscape rotation
 - Quick Release tab allows for intuitive release of monitor from the arm



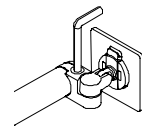
swerv laptop tray with dynamic monitor arm

Swerv Laptop Tray with Dynamic Monitor Arm features a standard Swerv Arm and a laptop tray that will allow the most common size and weight of laptops to be elevated off the desk and placed at a comfortable eye height.

swerv laptop tray with dynamic monitor arm



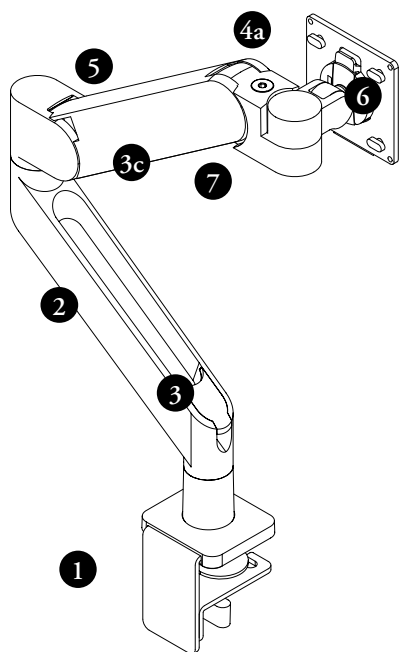
- 1 Mounting Option**
Available with the 3-in-1 Swerv Smart Clamp that includes Edge Clamp (shown), Round Grommet and Thru Mounts. Diamond Grommet version that integrates with upStage, HAB, Cityline and Expansion Desking is also available.
- 2 Reach Arm**
Highlighted by its hollow body, the reach arm calls out to its sister product, Sanna Lightbar for its inspiration and unique ability to manage and guide wires.
- 3 Wire Management**
Wires still exist and Swerv Laptop Tray with Dynamic monitor arm moves with them to be freely driven to new positions without interference.
- 3a** A removable cap unveils a pass through between the reach arm and the post. The initial connection between cables and arm is critical for establishing slack for turning and clean aesthetics.
- 4 Weight Balancing**
Swerv Laptop Tray with Dynamic monitor arm is highlighted with a patent pending weight balancing mechanism similar to the patented counterbalance table mechanism.
- 4a Macro Adjuster**
Used to balance the weight of the laptop.
- 5 Adjustment Arm**
 - 10" up/down height-adjustment
 - Balances laptops between 4 and 12 lbs
 - Conceals the Macro Adjuster behind the monitor
 - 20-1/2" focal depth adjustment (total arm)
- 6 Swivel/Tilt Head**
 - 270° swivel rotation
 - 180° swivel
 - 135° tilting for standard and bifocal viewing angles
- 7 Laptop Tray Mount**
 - Includes integrated wire management
 - Uses standard 75/100 VESA attachment
- 8 Laptop Tray**
 - Tray dimensions:
 - Two side flange handles for easy tray adjustment



swerv xl dynamic monitor arm overview

Swerv XL is a scaled up, larger version of the standard Swerv monitor arm. Swerv XL provides the ability to support single heavier monitors or support dual monitors using a single arm and crossbar.

swerv xl dynamic monitor arm



1 Mounting Option
Swerv XL uses the XL Desk Edge Clamp. Unique to Swerv XL, both adjustment allen keys are conveniently stored under the top cover plate.

2 Reach Arm
Highlighted by its hollow body, the reach arm calls out to its sister product, Sanna Lightbar for its inspiration and unique ability to manage and guide wires.

3 Wire Management
Wires still exist and Swerv XL moves with them to be freely driven to new positions without interference. A removable cap unveils a pass through between the reach arm and the post.

3b Integrated into the hollow reach arm, the reach clip helps to create Swerv XL's signature cord curve from the upper adjustment arm to the reach Raceway.

3c The initial connection between cables and arm is critical for establishing slack for turning and clean aesthetics.

4 Weight Balancing (20-35 lbs) Swerv XL is highlighted with a patent pending weight balancing mechanism similar to the patented counterbalance table mechanism.

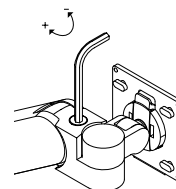
4a Macro Adjuster. Used to balance the weight of the monitor.

5 Adjustment Arm

- Conceals the Macro Adjuster behind the monitor
- 11 1/2" up/down height-adjustment, 23" focal depth adjustment (total arm). Balances monitors between 20 and 35 lbs

6 Swivel/Tilt Head

- 270° swivel rotation
- 180° swivel
- 135° tilting for standard and bifocal viewing angles



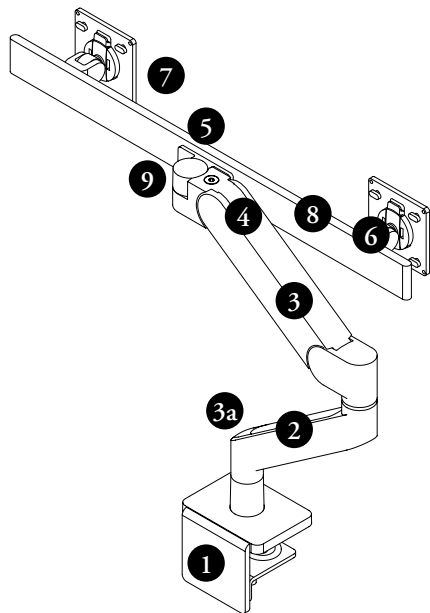
7 Monitor Mount Quick Release VESA Plate

- 75/75 and 100/100
- 185° portrait to landscape rotation
- Quick Release tab allows for intuitive release of monitor from the arm

swerv xl dynamic monitor arm with crossbar overview

Swerv XL with crossbar is a scaled up, larger version of the standard Swerv monitor arm with an attached crossbar. Swerv XL provides the ability to support dual monitors using a single arm and crossbar.

swerv xl dynamic monitor arm with crossbar



1 Mounting Option

Available with an XL Desk Edge Clamp. Swerv XL uses the XL Desk Edge Clamp. Unique to Swerv XL, both adjustment allen keys are conveniently stored under the top cover plate.

2 Reach Arm

Highlighted by its hollow body, the reach arm calls out to its sister product, Sanna Lightbar for its inspiration and unique ability to manage and guide wires.

3 Wire Management

Wires still exist and Swerv XL moves with them to be freely driven to new positions without interference.

3a A removable cap unveils a pass through between the reach arm and the post. The initial connection between cables and arm is critical for establishing slack for turning and clean aesthetics.

4 Weight Balancing (20-35 lbs)

Swerv XL is highlighted with a patent pending weight balancing mechanism similar to the patented counterbalance table mechanism.

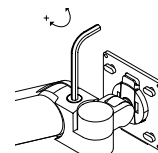
4a Macro Adjuster. Used to balance the weight of the monitor.

5 Adjustment Arm

- Conceals the Macro Adjuster behind the monitor
- 11 1/2" up/down height-adjustment, 23" focal depth adjustment (total arm). Balances monitors between 20 and 35 lbs

6 Swivel/Tilt Head

- 270° swivel rotation
- 180° swivel
- 135° tilting for standard and bifocal viewing angles



7 Monitor Mount

Quick Release VESA Plate

- 75/75 and 100/100 185° portrait to landscape rotation
- Quick Release tab allows for intuitive release of monitor from the arm
- Includes two 1 lbs VESA plates for use with lighter monitors. This will reduce the minimum weight balanced from 20 to 18 lbs. Additional longer mounting screws are included

8 Crossbar

- Crossbar length is 30"
- Crossbar finish will be the same as the Desk Edge Clamp
- Includes two crossbar mounted wire managers
- Two swivel/tilt VESA heads that slide along the crossbar
- Finish will match arm finish selection

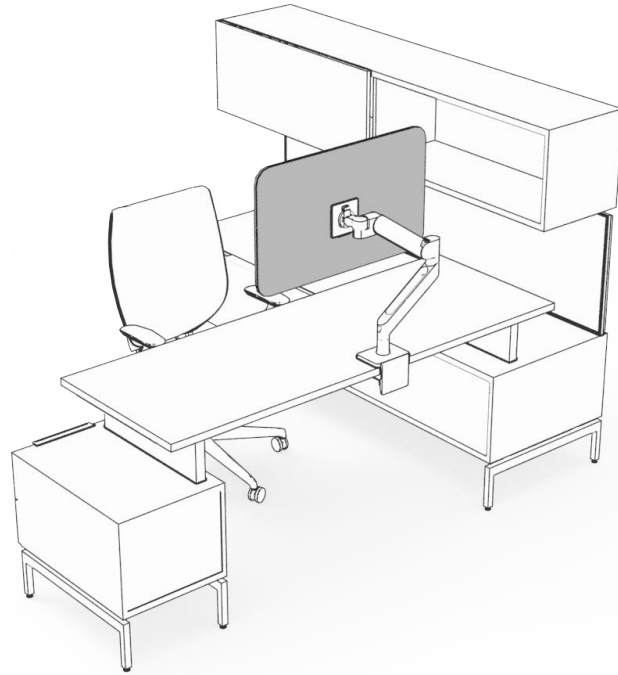
9 Soft Touch Handle

- Mounts to the crossbar
- Height-Adjustable
- Provides easy and convenient assistance for moving large sets of monitors

swerv contrast screen basics

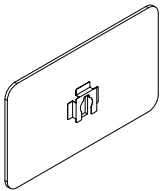
Swerv Contrast Screen can be mounted to the Swerv, Swerv XL or Swerv XL with Crossbar Monitor Arm and provides a contemporary solution for privacy and coverage with single and dual monitor screens.

swerv contrast screen



Finishes:
Smooth Felt

- Used with either a single monitor or dual monitor with crossbar
- Screen is attached flush to the mounting bracket of the monitor arm or crossbar
- Available in smooth felt



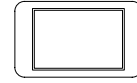
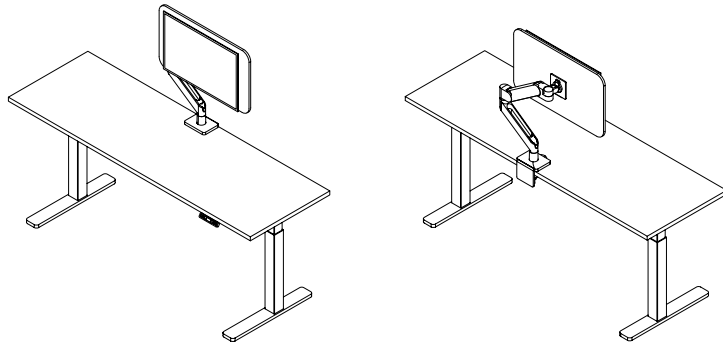
Swerv Contrast Screen (GZMH)

- Arm Type:
 - Swerv, Swerv XL
 - Swerv XL with Crossbar
- Available in:
 - Small
 - Medium
 - Large

planning with the swerv contrast screen

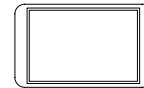
swerv contrast screen with single monitor

Swerv Contrast Screens can be mounted to the Swerv and Swerv XL Monitor Arm when using a single monitor screen.



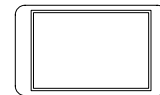
Small Contrast Screen (S)

Suitable for monitor screen sizes 20" - 22"



Medium Contrast Screen (M)

Suitable for monitor screen sizes 23" - 25"

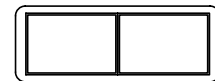
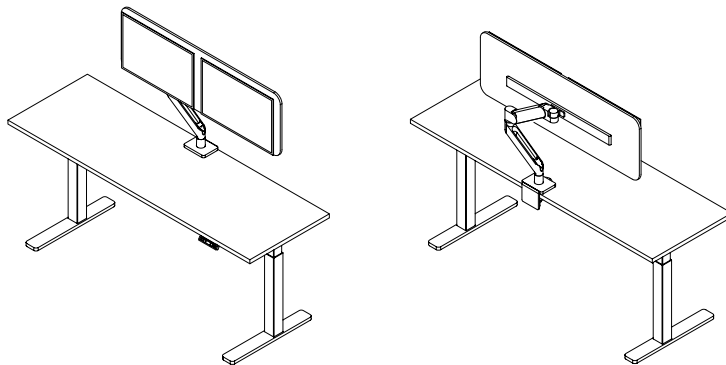


Large Contrast Screen (L)

Suitable for monitor screen sizes 26" - 28"

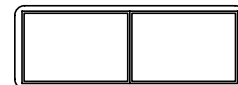
swerv contrast screen with dual monitors

Swerv Contrast Screens can be mounted to the Swerv XL with Crossbar when using dual monitor screens.



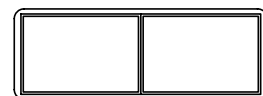
Small Contrast Screen (S)

Suitable for monitor screen sizes 20" - 22"



Medium Contrast Screen (M)

Suitable for monitor screen sizes 23" - 25"



Large Contrast Screen (L)

Suitable for monitor screen sizes 26" - 28"