

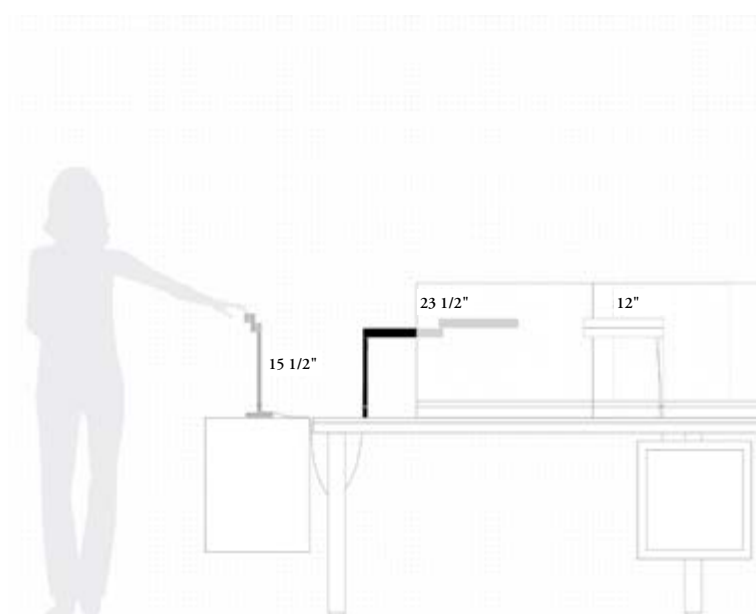
The Sanna Lighting Collection brings a modern and vogue lighting experience to personal and shared spaces. Rich materials and a vast finish offering allow Sanna Lightbar to be integrated into various spaces and applications while providing a unique experience through its shape and angles.

sanna lightbar introduction

sanna (sah - nah)

An undefined word in the English Dictionary that uses soft vowels and warmth that expresses an invitation to each user, space and application to create their own light experience definition.

- Teknion Sanna by Pablo is a distinctly vibrant collection of LED task lighting that fashionably expands the language of light in today's work spaces
- Sanna was born in an organic collaboration between Teknion and California based lighting design studio Pablo Designs. Thriving in any environment and application, Sanna was created using advanced LED technologies and premium materials and finishes to elevate the user experience



- Sanna Lightbar, Freestanding with Platinum Finish
- Sanna Lightbar, Edge Clamp with Anthracite Finish
- Sanna Lightbar, Thru Mount with Crisp Grey Finish

sanna lightbar overview

Sanna Lightbar provides a truly unique lighting experience through its shape and angles that transforms it from a companion ambient light to a work focused task light. Lightbar can be playful and energizing, elevated and subtle, focused and accurate.

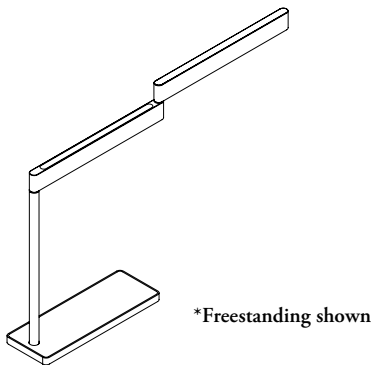
edge clamp



freestanding



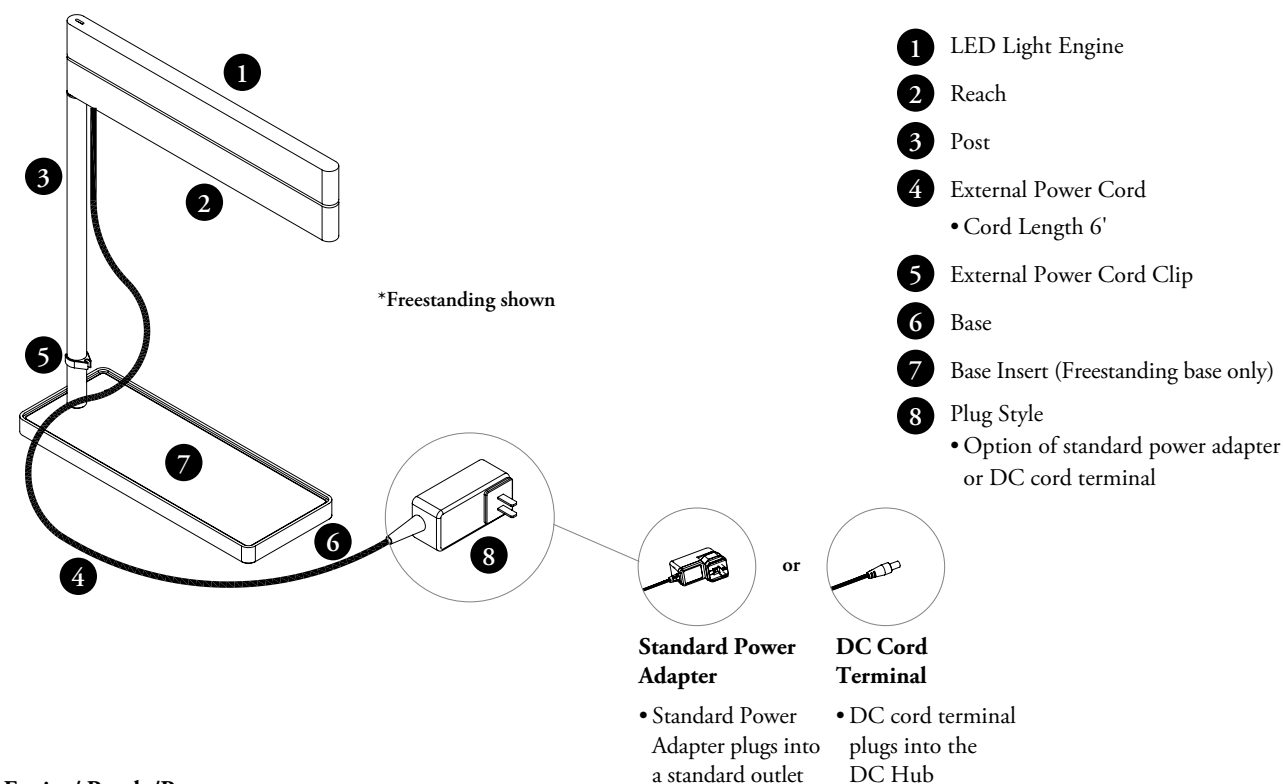
thru mount



Sanna Lightbar (YLSR)

- Available in 3 base styles

sanna lightbar overview (continued)



LED Light Engine/ Reach /Post

- Finished in Crisp Grey, Platinum and Anthracite

External Power Cord

- Cord in white for Crisp Grey, Dark Gray for Platinum and Anthracite

Cord Clip

- Always comes Clear

Base

- Available in Crisp Grey, Platinum, or Anthracite

Base Insert

- Available in Heather Felt and Fine Grain Leather finishes based on predetermined finish combinations

Edge Clamp/Thru Mount (Not shown)

- Finished in selected base finish

Power Adapter

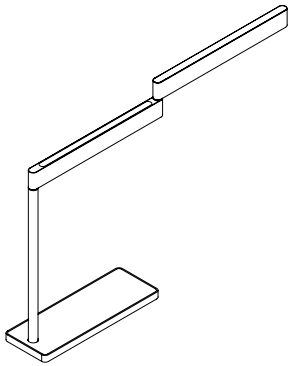
- When Crisp Grey base is specified Power Adapter will be finished White
- When Platinum or Anthracite base is specified Power Adapter will be finished Black

Plug

- When Crisp Grey base is specified, the plug will be finished White
- When Platinum or Anthracite base is specified, the plug will be finished Black

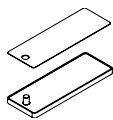
sanna lightbar basics

Lightbar has a 23" radius that is able to create a energized, focused or relaxed user lighting experience.



Sanna Lightbar (YLSR)

- The Sanna Lightbar was designed to be used in a task and/or ambient lighting application. It can be specified as freestanding, edge clamp or thru mount



Freestanding

- Freestanding bases are designed to be universal, it can be used in private offices, open plan areas and heads down spaces



Edge Clamp

- The edge clamp base was designed to be used in spaces where worksurface space is needed. It can be mounted to any 3/4" - 1 1/2" thick worksurface



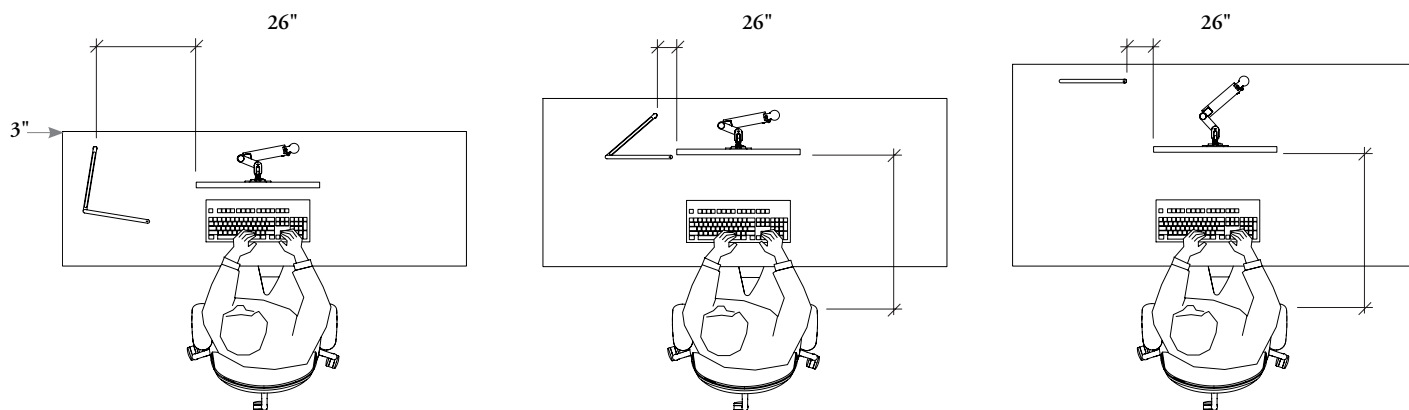
Thru Mount

- The thru mount base was designed to be used in a fixed location on a worksurface to provide a clean aesthetic and allow for more space on the worksurface

planning with sanna lightbar

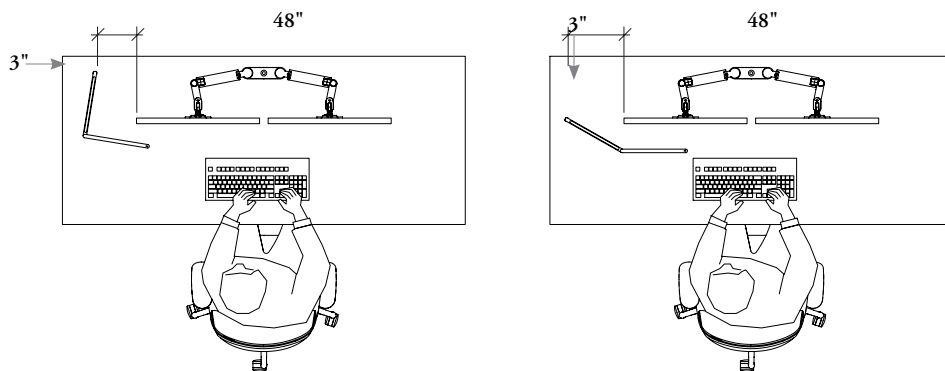
thru mount placement guide: single monitor

- Do not install the thru mount in the 26" working area of a desk to avoid interferences with motors or laptops
- Install the thru mount a minimum of 3" away from the worksurface edge
- Ensure the desired location has no brackets or structure underneath the worksurface

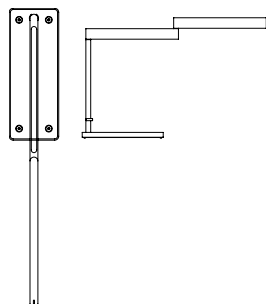


thru mount placement guide: double monitor

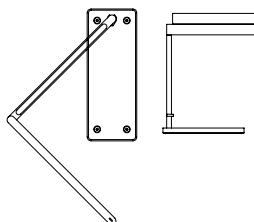
- If using two monitors, it is recommended to not install the thru mount in the 48" working area of a desk to avoid interferences with monitors or laptops
- The light can be mounted near the side of the desk as well



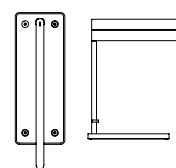
focus orientation (100%)



relax orientation (50%)



infinite dimming

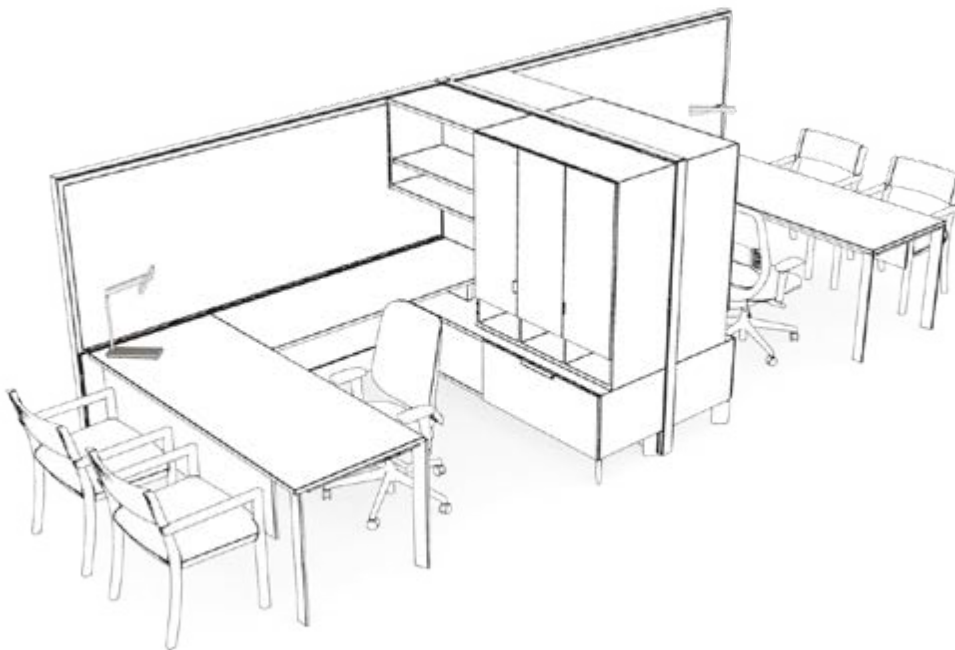


The lighting experience depends on how the Lightbar is oriented and the level of dimming.

planning with sanna lightbar (continued)



Sanna Lightbar with edge clamp base in an open Interpret workstation application.



Sanna Lightbar with freestanding base in a semi-enclosed District workstation application.

planning with sanna lightbar (continued)



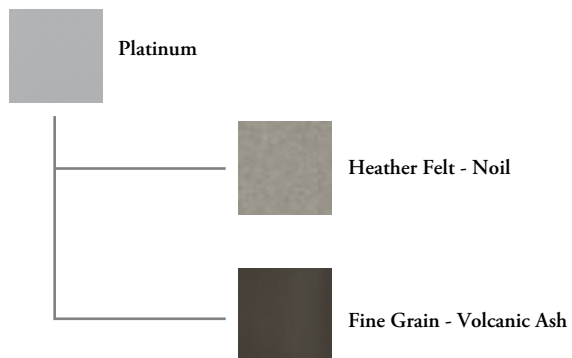
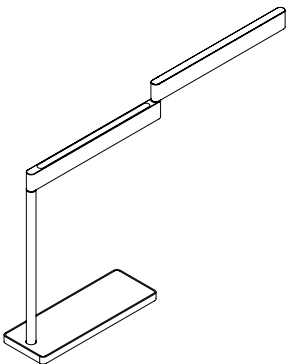
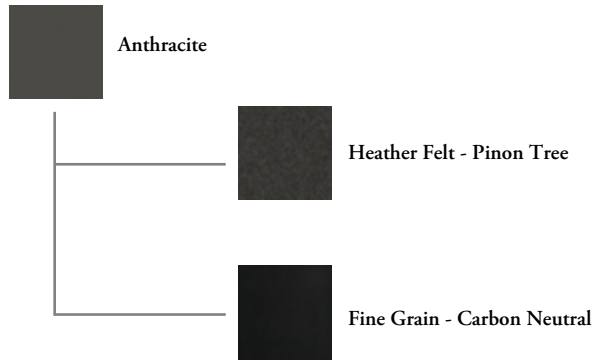
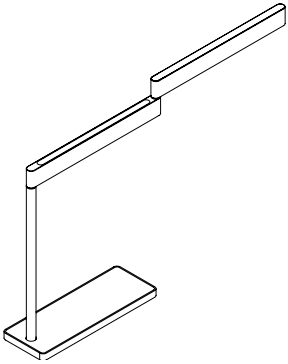
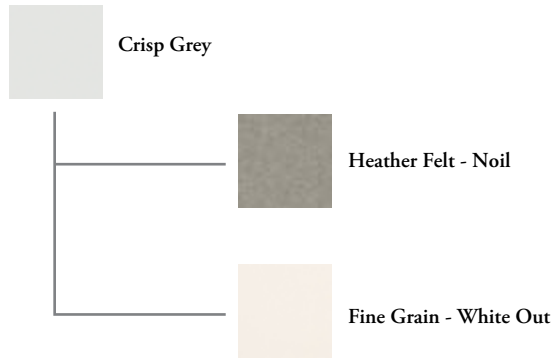
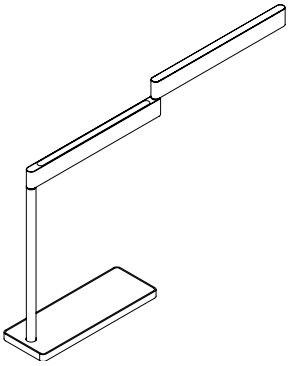
Sanna Lightbar with thru mount base in a private Journal workstation application.



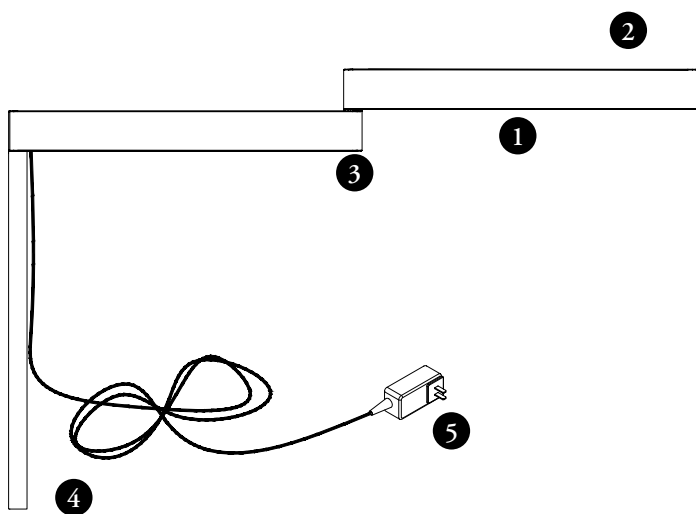
Sanna Lightbar with freestanding base in a semi-enclosed Leverage workstation application.

sanna lightbar finishes

Sanna Lightbar is available in three color combinations.



sanna lightbar light engine overview



- 1 High output LED Light Engine
- 2 Optical Switch
 - Full Range dim control from 100% to 10% with tap selection of 100/50/0
 - 6 hour automatic shut off timer
- 3 Reach Cut Out
 - Creates a unique ambient experience allowing only a portion of the light to reach the surface
- 4 Woven Cord
 - Cord Length 6'
 - Lock and turn into power adapter
- 5 Plug Style
 - Option of standard power adapter or DC cord terminal