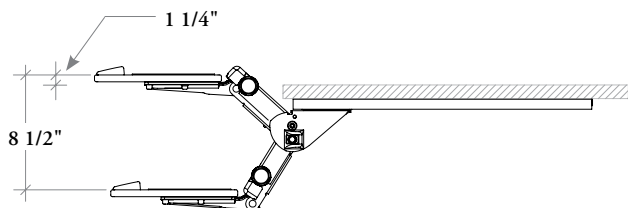
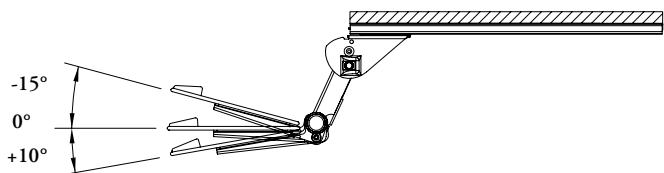


tiers complete keyboard solutions

Tiers offers 16 complete keyboard solutions. Each includes one of four unique keyboard platforms and one of four arm options. Tiers is designed to seamlessly integrate with any Teknion product line. Specific applications to our worksurfaces are shown in the Application Matrices shown in the General Information section.



Range of adjustment for Extended "B" & Standard "C" mechanism arms.



tiers keyboard platforms

- Available in aluminum, HDPE, or phenolic
- Designed for left or right hand mousing
- Multiple mouse platform adjustment features
- Have slim profiles
- Includes removable Thin Edge palmrest
- Mouse surface wire management

height and tilt ranges

The height and tilt adjustment range for a keyboard combination is determined by the keyboard arm mechanism selected. Range measurements shown with each mechanism on page 9. Track lengths are designed to allow the keyboards to retract beneath a worksurface when not in use and allow for universal planning.

Product Code	Mouse Surface				
	Height	Swivel	Tilt	"Tool Free" Left or Right	Left or Right
YKT1	✓	✓	✓	✓	-
YKT2	✓	✓	✓	-	✓
YKT3	-	✓	-	-	✓
YKT4	-	-	-	✓	-



tool-free left or right hand accommodation

Both "T1" Aluminum and "T4" Large Phenolic keyboard solutions include tool-free reconfiguration for left or right hand users.

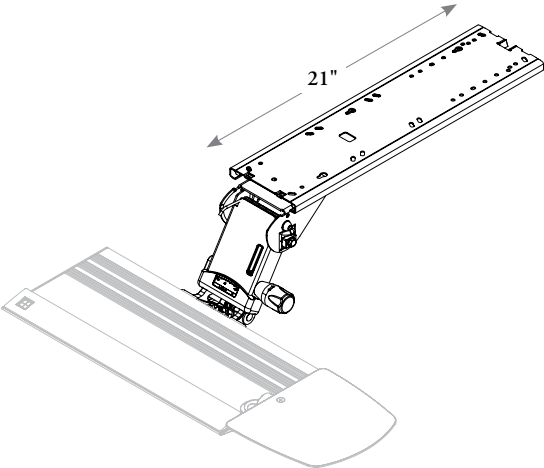
tiers adjustable arm mechanism options

platform storage

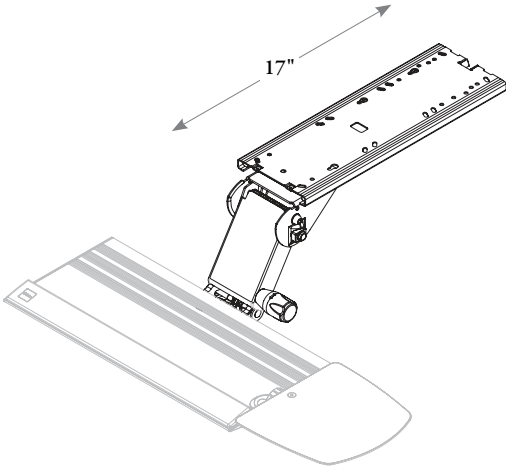
Track lengths of 21" and 17" are designed to allow keyboard solutions to retract beneath the worksurface. Track length of 17" allows for universal planning under surfaces greater than or equal to 18".

Tier Adjustable Arm Mechanism					
Options		A Sit/Stand	B Extended	C Standard	D Space Saver
Tilt	Dial-a-Tilt	✓	✓		
	Manual Tilt			✓	✓
Size	Height-Adjustable*	22 1/2" to 36 3/4"	21 3/4" to 30 1/4"	21 3/4" to 30 1/4"	23 1/4" to 29"
	Track Length	21"	21"	21"	17"

* Actual platform heights are dependent on YKMT selection



Tiers A, B, C



Tiers D

tiers adjustable arm mechanism options

All Tiers arm mechanisms come standard with the following features:

- Simple intuitive adjustments
- Two options of tilt range; positive and negative tilt (10° to -15°) or negative tilt only (0° to -15°)
- 360° arm rotation
- Fully retractable to provide extra room when not using the computer
- Smooth underside to eliminate catching clothing

Together with all thin profile platforms, Tiers arm options “B” Extended and “C” Standard come with a slim tray attachment that allows the keyboard solution maximum up/down movement while using very little thigh and knee space under the work surface.

tiers complete keyboard solutions guidance

Tiers keyboard solutions are designed for various levels of computer use. The following outlines the keyboard solutions recommended for each application. Alternate solutions are available dependent on the application.



Intensive User (>4 hours of computer use)

“T1” Aluminum or “T2” HDPE with “A” Sit/Stand or “B” Extended Arm: T1 and T2 include a 3D adjustable mouse surface that easily reconfigures to left and right hand users. Arm options A and B provide a large range of user height-adjustment with feedback gauge. A Tiers Thin Edge antimicrobial palmrest promotes healthy postures and a healthy workspace.



Dual Arm Keyboard Support (YKKW): Dual arm keyboard solution with full width tray. Provides a solid platform for intensive keyboard and mouse use with +6/-7" of height-adjustment and +/-15° tilt. Can be added to any rectangular surface offered in a fixed position and retractable version.



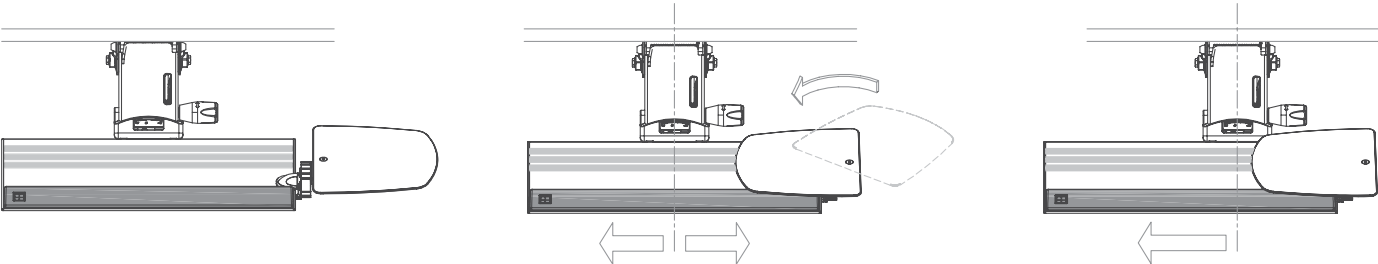
Intermittent User (2 to 4 hours of computer use)

“T3” Small Phenolic or “T4” Large Phenolic with “B” Extended or “C” Standard Arm: T3 and T4 slim profile trays provide durable keyboard solutions with adjustability. T3 has a swivel mouse surface and T4 has tool free left and right hand reconfigurability.

tiers special applications guide

Shift

Tiers “Shift” is available on “T1” Aluminum. Shift allows the user to slide the keyboard platform to the left or right to refocus the keyboard solution to their task. For example, a right hand orientation that is mouse intensive could shift the tray left and position the mouse surface over numeric resulting in a more convenient and comfortable posture for the user.



Note how the tray position changes relative to the arm.

Removable Thin Edge Palmrest

Tiers thin edge antimicrobial palmrest is easily removed without the use of tools. Replacement and individual palmrests are available (ACGTT).



Quick Install Feature

Tiers “T1” Aluminum features a pin & knob system that does not require any tools for installation.

Arms A, B, and C all come with threaded tray heads for quick and easy installation of any Tiers keyboard platform.

