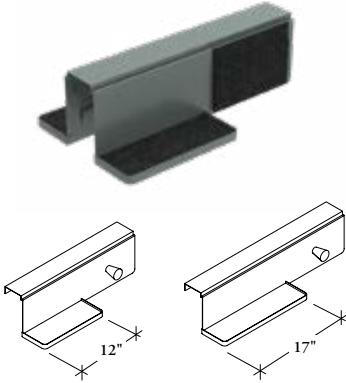


# AYAR

## Complements Accessory Organizer



### What's Included

For 17" one accessory organizer.

For 23" and 29" one accessory organizer, felt pouch or hook.

### Notes

Handedness is determined where the shelf is situated when the user is facing the product.

Panel Mount (P) includes two of the same accessories.

1" Solid Lateral (S) mount is used with 1" Solid Lateral Screens

### PRODUCT OPTIONS

Mount Type	Bracket Type	Width	Handedness	Accessory
<b>P</b> Panel Mount	<b>A</b> District Panel Double Side (two accessory organizer)	17, 23, 29	<b>N</b> None	<b>N</b> None
<b>S</b> 1" Solid Lateral	<b>B</b> District Panel Single Side (one accessory organizer)		<b>B</b> Both	<b>F</b> Felt Pouch
	<b>C</b> Face-drilled Single Side (one accessory organizer)		<b>L</b> Left	<b>H</b> Hook
	<b>N</b> None		<b>R</b> Right	

### SAMPLE ORDER CODE

<b>AYAR P</b>	<b>A</b>	<b>17</b>	<b>L</b>	<b>N</b>
---------------	----------	-----------	----------	----------

### PRODUCT OPTIONS (CONTINUED)

Organizer	Metal Finish	Bracket Finish	Felt Liner Finish	Wood Finish (for hook)
<b>N</b> None	Foundation Mica Accent	Foundation Mica Accent	<b>R6</b> Lunar <b>QT</b> River Rock	<b>MP</b> Natural Maple Coordinate

### SAMPLE ORDER CODE (CONTINUED)

<b>N</b>	<b>20</b>	<b>20</b>	<b>R6</b>	<b>MP</b>
----------	-----------	-----------	-----------	-----------

See Pricing on the following page.



## Complements Accessory Organizer (Continued)

**DIMENSIONS  
INCHES / MM**
**PRICING**

W	PANEL MOUNT (P)			DISTRICT DOUBLE-SIDED (A)			FACE-DRILLED SINGLE-SIDED (C)		
	DISTRICT SINGLE-SIDED (B)			No Accessory	Felt Pouch	Hook	No Accessory	Felt Pouch	Hook
17 / 432	No Accessory	Felt Pouch	Hook	366	n/a	n/a	171	n/a	n/a
23 / 584	n/a	269	366	n/a	561	708	n/a	244	342
29 / 737	n/a	318	391	n/a	610	781	n/a	269	366
	1" SOLID LATERAL (S)			No Accessory	Felt Pouch	Hook			
17 / 432				122	n/a	n/a			
23 / 584				n/a	196	293			
29 / 737				n/a	220	318			