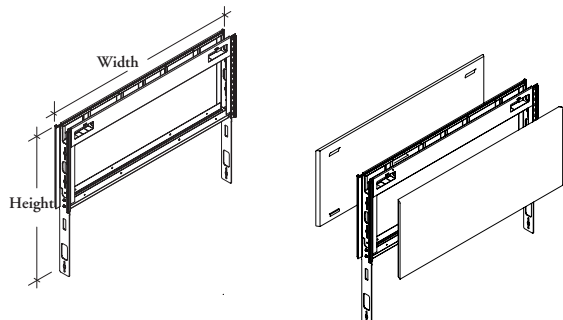


## P X D

### Add-On Module – PE42



The Add-On Module – PE42 is required when added to a 42" high T/O/S Power Panel (PE) only. This module also accepts the full range of T/O/S elements.

#### WHAT'S INCLUDED

**Bare Frame:** (for build-up pricing purposes only) 1 frame, hardware for straight connections.

**Complete Module:** 1 frame, 2 acoustic elements, hardware for straight connections.

#### WHAT'S EXCLUDED

Top trim.

#### NOTES

The lay-in trough option is available on 15" height modules only.

To order add-ons, a panel matrix must be completed to identify placement of specific elements.

#### PRODUCT OPTIONS

Height	Width	Frame Finish	Element Finish	Lay-In Trough (Optional)
06, 15	18, 24, 30, 36, 42, 48, 54, 60	Foundation Mica	Fabric	2 With Lay-In Trough

#### SAMPLE ORDER CODE

PXD 06	18	N	PANEL MATRIX	2
--------	----	---	--------------	---

#### DIMENSIONS INCHES / MM

H	W
06 / 152	18 / 457
06 / 152	24 / 610
06 / 152	30 / 762
06 / 152	36 / 914
06 / 152	42 / 1067
06 / 152	48 / 1219
06 / 152	54 / 1372
06 / 152	60 / 1524
15 / 381	18 / 457
15 / 381	24 / 610
15 / 381	30 / 762
15 / 381	36 / 914
15 / 381	42 / 1067
15 / 381	48 / 1219
15 / 381	54 / 1372
15 / 381	60 / 1524

#### PRICING

Foundation	Mica
72	84
76	90
80	95
84	99
88	102
92	109
96	111
101	115
88	119
93	125
98	130
103	132
109	140
113	144
118	149
123	153

Complete panel build-up pricing is an approximate value, please see specification software for exact pricing.

If Lay-In Trough is specified for a 18" wide frame, add 42  
 If Lay-In Trough is specified for a 24" wide frame, add 47  
 If Lay-In Trough is specified for a 30" wide frame, add 51  
 If Lay-In Trough is specified for a 36" wide frame, add 55  
 If Lay-In Trough is specified for a 42" wide frame, add 62

If Lay-In Trough is specified for a 48" wide frame, add 67  
 If Lay-In Trough is specified for a 54" wide frame, add 73  
 If Lay-In Trough is specified for a 60" wide frame, add 77