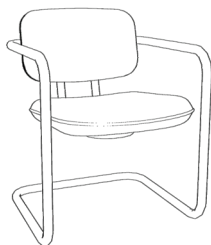


SOM79 CHAIR



FEATURES

SOM79 Chair (Fabric)

- A reissue of the 1979 original, this armchair is defined by its continuous tubular steel frame and hand-polished chrome finish
- Fabric upholstered back and seat
- 1-1/4" diameter tubular steel

SOM79 Chair (Leather)

- A reissue of the 1979 original, this armchair is defined by its continuous tubular steel frame and hand-polished chrome finish
- Leather upholstered back and seat
- 1-1/4" diameter tubular steel

COM/COL MATERIAL REQUIREMENT

	UPHOLSTERY YARDAGE	
	COM (yards)	COL (sq. ft.)
SOM79 CHAIR (ISOO, ISOP)	2	17

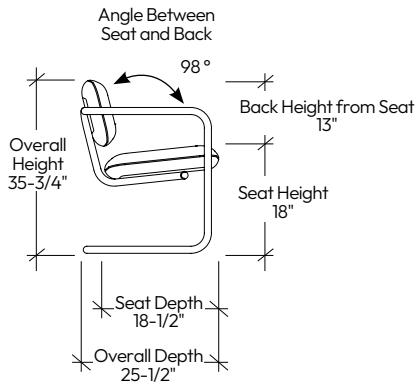
WEIGHTS

	WEIGHT (LBS)
SOM79 CHAIR (ISOO, ISOP)	35

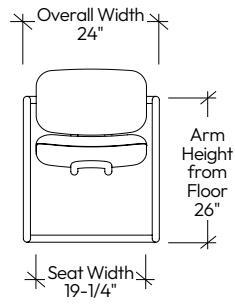
CONSTRUCTION NOTES

SOM79 CHAIR continued

DIMENSIONS

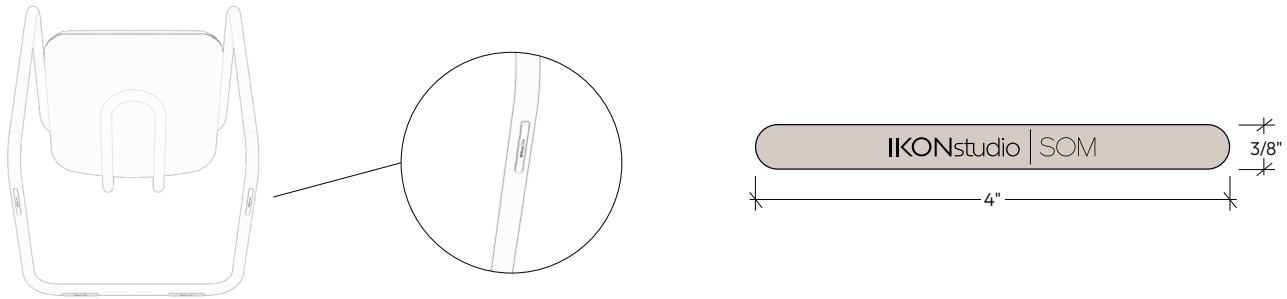


SOM79 Chair
side view



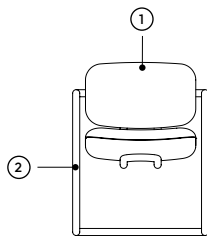
SOM79 Chair
front view

DESIGNER TAG PLACEMENT



SPECIFYING FINISHES

- ① **Upholstery Finish**
Select the upholstery finish
- ② **Frame Finish**
Select the frame finish



SPECIFICATION EXAMPLE

Below are the steps required to specify the SOM79 Chair:

1. Select the lounge style
1. Select the upholstery finish
2. Select the frame finish

EXAMPLE
ISOO
ISOOE504
ISOOE504CE

SOM79 CHAIR (FABRIC) (ISOO)

PRODUCT DETAILS



PRODUCT OPTIONS

UPHOLSTERY FINISH Fabric

FRAME FINISH Trivalent Chrome

PRICING

UPHOLSTERY FINISH

COM	Grade 1	Grade 2	Grade 3	Grade 4	Grade 5	Grade 6	Grade 7	Grade 8	Grade 9	Grade 10
2069	2170	2215	2254	2299	2333	2361	2389	2423	2457	2490

SOM79 CHAIR (LEATHER) (ISOP)

PRODUCT DETAILS



PRODUCT OPTIONS

UPHOLSTERY FINISH Leather

FRAME FINISH Trivalent Chrome

PRICING

UPHOLSTERY FINISH			
COL	Leather LB	Leather LC	Leather LD
2276	2883	3186	3287