

custom storage

BUILD-UP CASES189

BUILD-UP MODULES207

build-up cases

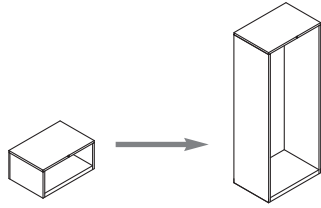
build-up cases

PRODUCT MAP / TABLE OF CONTENTS	191
BUILD-UP BASICS	193
PRODUCT LISTING	194

L B C Cabinet Cases

Page 194

Depth: 18" & 20" / Width: 30", 36", 42"

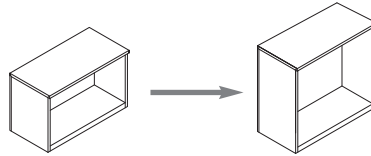


11.2" up to 72.0" interior height in 1.6" increments
14.4" up to 75.2" exterior height in 1.6" increments

L B S Stretch Pedestal Cases

Page 204

Depth: 18" / Width: 30", 36", 42"

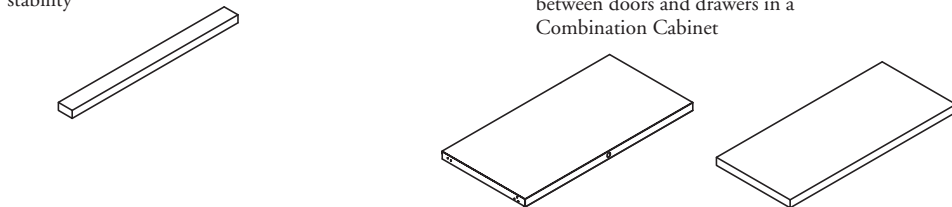
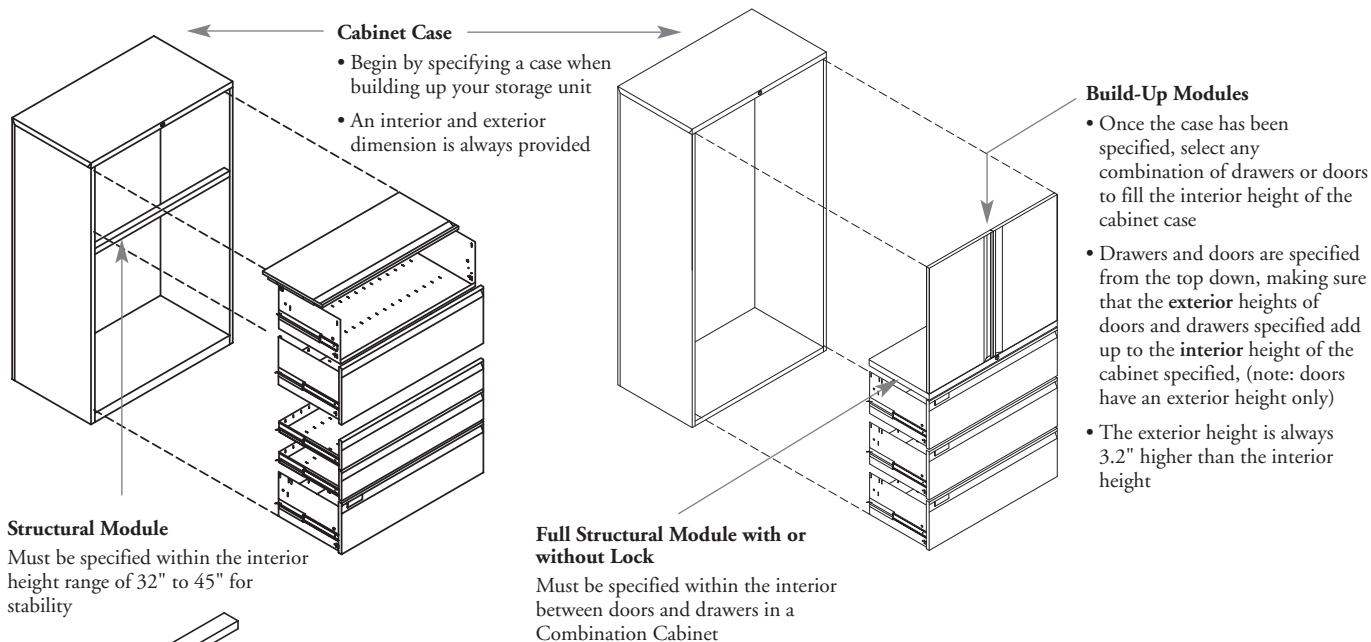


19.2" up to 30.4" interior height in 1.6" increments
22.4" up to 33.6" exterior height in 1.6" increments

build-up basics

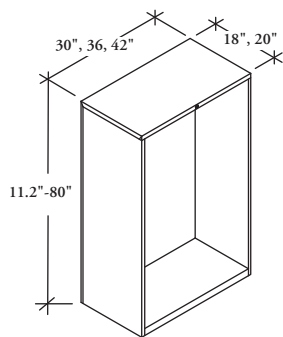
All Custom Storage units can be built up by specifying the case, drawers, and/or doors individually, allowing for maximum flexibility. The multiple case heights, numerous drawer types and various door and drawer heights permit tailoring Ledger to specific needs.

- ❗ All case, drawer and door heights are based on 1.6" high increments
- All cabinets 56" and higher require a 1.6" Structural Module
- Storage Modules have the height incorporated into the product code: example LBMCF064 = 6.4" high LBMCF128 = 12.8" high
- Build-up units can be retrofitted or reconfigured at any time
- Counterweights are required when pull-out drawers are specified



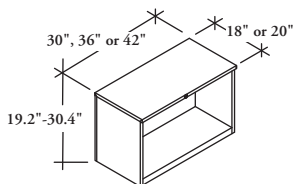
Finishes

- All Ledger Cabinets are available in the full palette of Teknion Satin, Textured Satin, Satin Mica and Textured Mica colors
- Most Ledger pre-configured units may be specified with either Seamless Colors or Standard or Cathedral Flintwood fronts
- Interiors are finished in Grey



Cabinet Case (LBC)

- Lateral Files
- Storage Cabinets
- Combination Cabinets
- Wardrobe Cabinets



Stretch Pedestal Case (LBS)

- Stretch Pedestals

build-up modules

build-up modules

PRODUCT MAP / TABLE OF CONTENTS208

BUILD-UP BASICS211

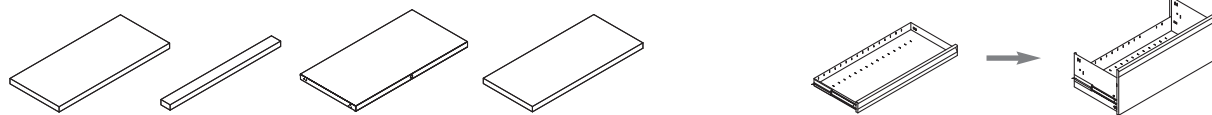
PRODUCT LISTING212

product map

L B M C Cabinet Modules

Page 212

Depth: 18" & 20" / Width: 30", 36", 42"



(P) Pull - Out Shelf

(B) Structural Module

(L) Full Locking Structural Module

(J) Full Structural Module

(F) Fixed Front
3.2" high up to 16.0" high in 1.6" increments

L B M C Cabinet Modules – continued

Depth: 18" & 20" / Width: 30", 36", 42"



(S) Receding Front/ Fixed Shelf

(R) Receding Front/ Pull-Out Shelf

(G) Fixed Front/Additional Pull-Out Shelf

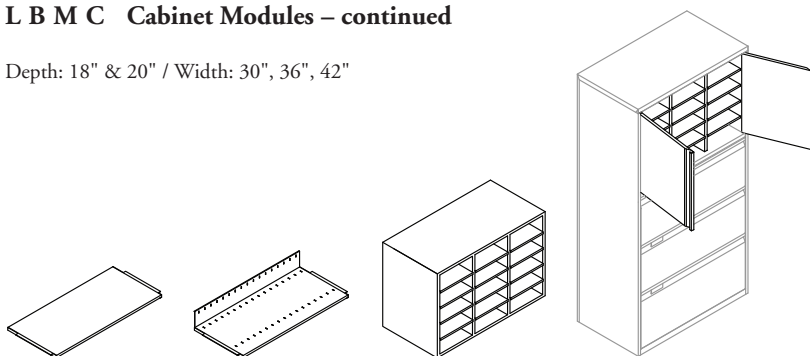
(H) Receding Front/ 2 Pull-Out Shelves

12.8" high up to 16.0" high in 1.6" increments

14.4" high up to 16.0" high in 1.6" increments

L B M C Cabinet Modules – continued

Depth: 18" & 20" / Width: 30", 36", 42"



(A1) Shelf

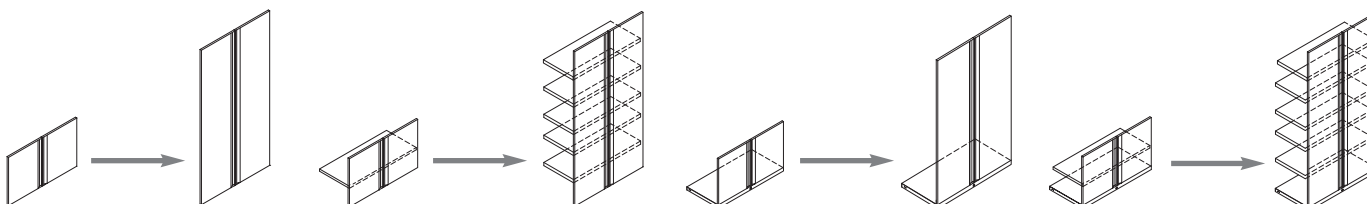
(A2) Slotted Shelf

(A3) Max Storage Units

(A4) Max Storage Units with Door

L B M C Cabinet Modules – continued

Depth: 18" & 20" / Width: 30", 36", 42"



(D1) Doors without Shelving
14.4" high up to 80.0" high in 1.6" increments

(D2) Doors with Shelving
22.4" high up to 72.0" high in 1.6" increments

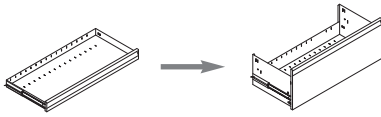
(DL1) Doors with Locking Structural Module - without Shelving
16.0" high up to 60.8" high in 1.6" increments

(DL2) Doors with Locking Structural Module – with Shelving
22.4" high up to 60.8" high in 1.6" increments

L B M S Stretch Pedestal Modules

Page 224

Depth: 18" / Width: 30", 36", 42"

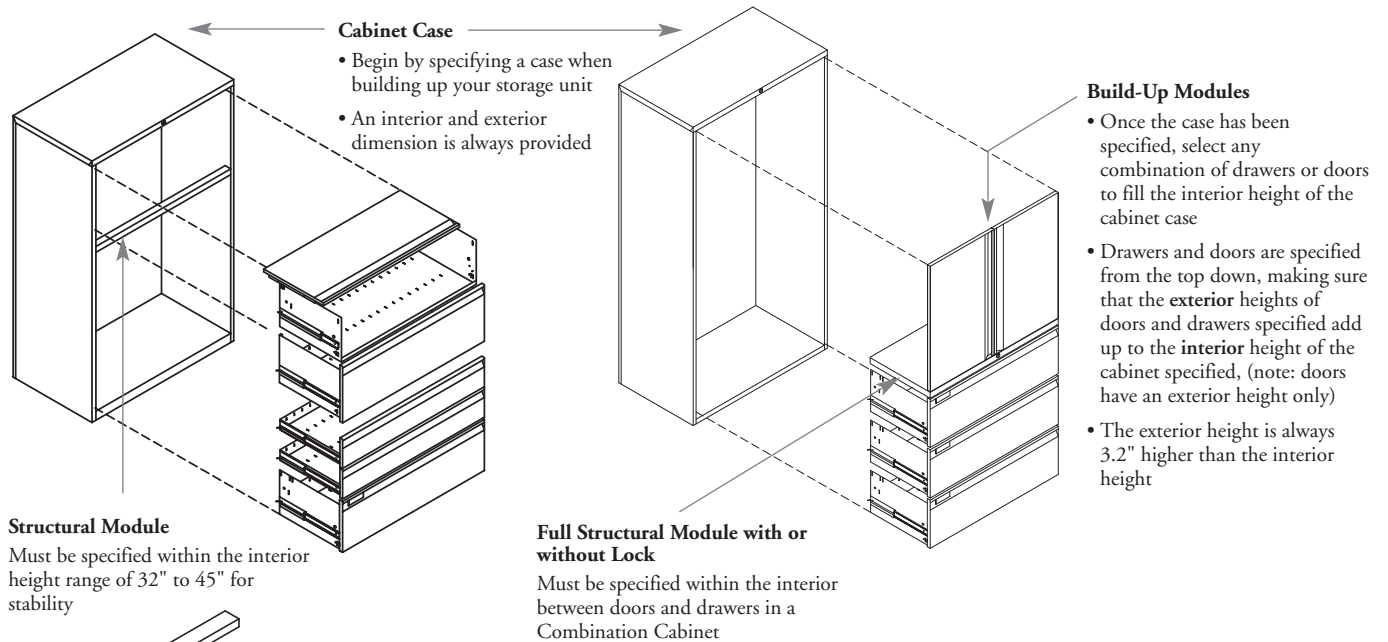


Fixed Front
3.2" high up to 16.0" high in 1.6" increments

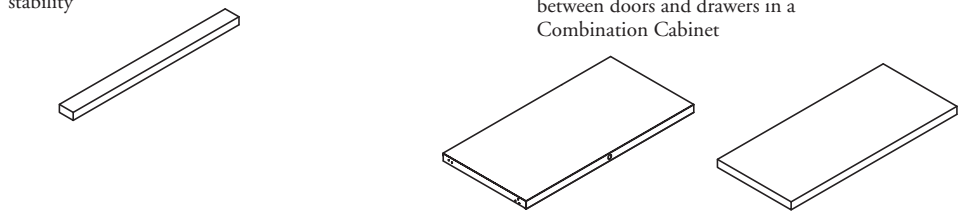
build-up basics

All Custom Storage units can be built up by specifying the case, drawers, and/or doors individually, allowing for maximum flexibility. The multiple case heights, numerous drawer types and various door and drawer heights permit tailoring Ledger to specific needs.

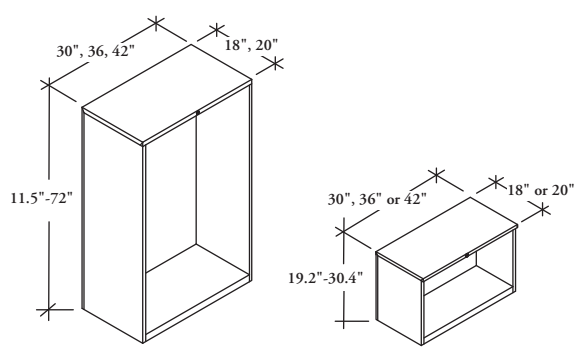
- All case, drawer and door heights are based on 1.6" high increments
- All cabinets 56" and higher require a 1.6" Structural Module
- Storage Modules have the height incorporated into the product code: example LBMCF064 = 6.4" high LBMCF128 = 12.8" high
- Build-up units can be retrofitted or reconfigured at any time
- Counterweights are required when pull-out drawers are specified



211



- Finishes**
- All Ledger Cabinets are available in the full palette of Teknion Satin, Textured Satin, Satin Mica and Textured Mica colors
 - Most Ledger pre-configured units may be specified with either Seamless Colors or Standard or Cathedral Flintwood fronts
 - Interiors are finished in Black



- Cabinet Case (LBC)**
- Lateral Files
 - Storage Cabinets
 - Combination Cabinets
 - Wardrobe Cabinets
- Stretch Pedestal Case (LBS)**
- Stretch Pedestals