

countertops

PRODUCT MAP / TABLE OF CONTENTS 379

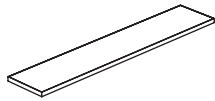
COUNTERTOP BASICS 380

PRODUCT LISTING 382

product map

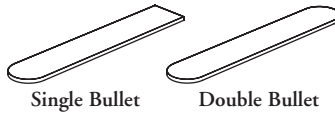
R C S C Countertop – Straight

Page 382
Depth: 12" / Width: 24" – 84"



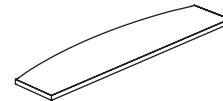
R C B C Countertop – Bullet(s)

Page 383
Depth: 12" / Width: 24" – 84"



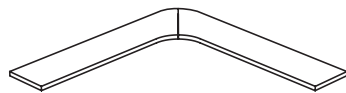
R C B W Bow Countertop

Page 384
Depth: 12" / Width: 24" – 84"



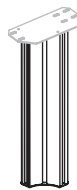
R C C C Corner Countertop – Straight

Page 385
Depth: 12" / Width: 24" – 84"



R C C S Countertop Support

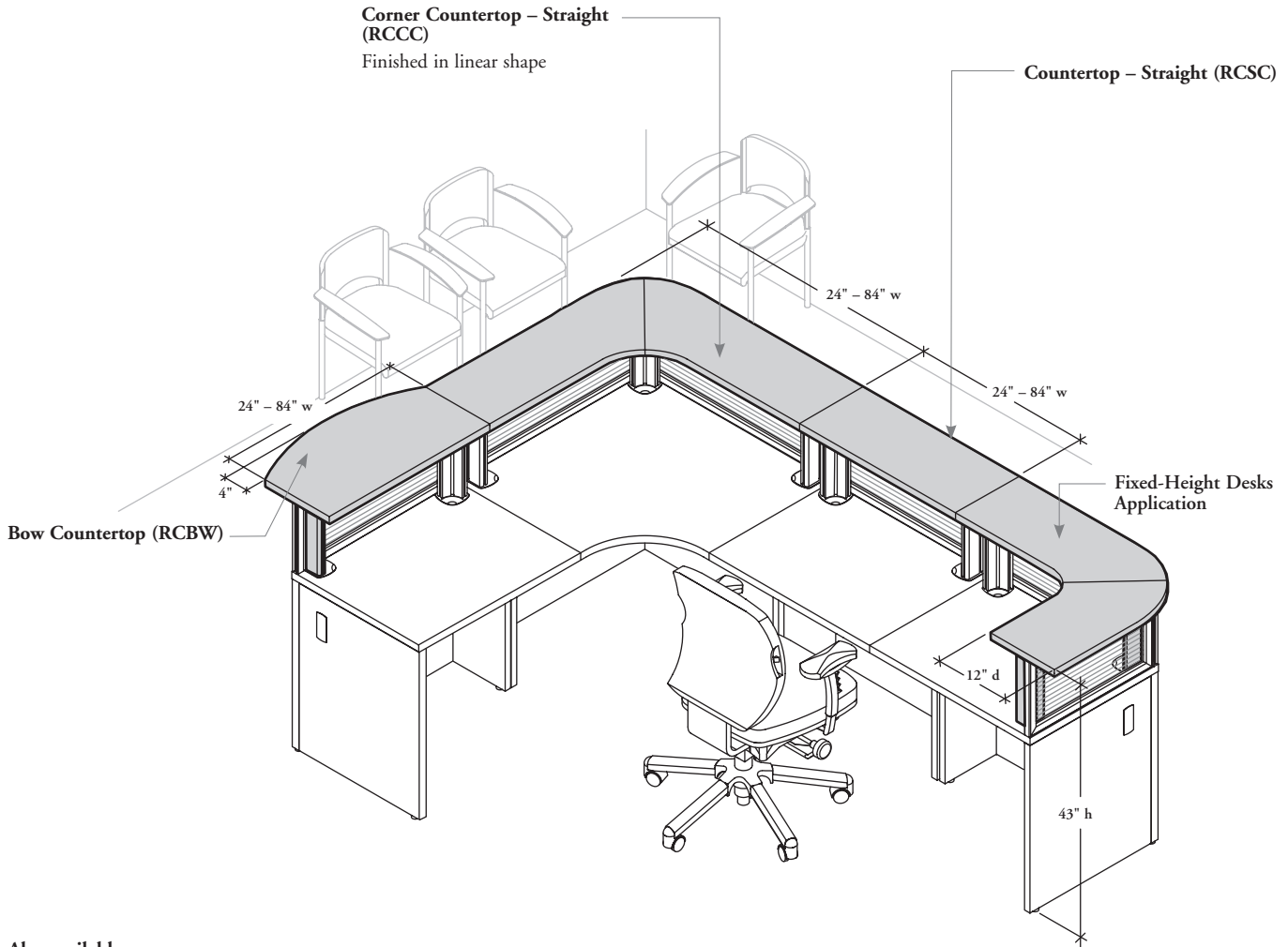
Page 386
Height: 13"



countertop basics

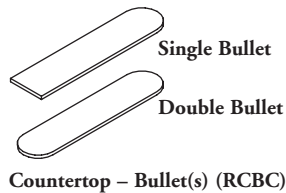
Expansion Desking offers a wide variety of countertop surfaces. They can be used to create reception stations.

- ❗ Countertops can be installed on all desk types preferably on a straight edge
- All countertop dimensions listed are actual dimensions
- Products in this section are not compatible with Spine Desks



380

Also available:



Finishes

- Available in Foundation Laminate colors or Flintwood Stains (No Cathedral)
- Edge trims available in Straight Trim (6) or Flintwood Flat Trim (9)
 - Flintwood Flat Trim is only available on Flintwood worksurfaces. Edge trims will be finished to match the Flintwood worksurface
 - Straight Trim is not available on Flintwood worksurfaces

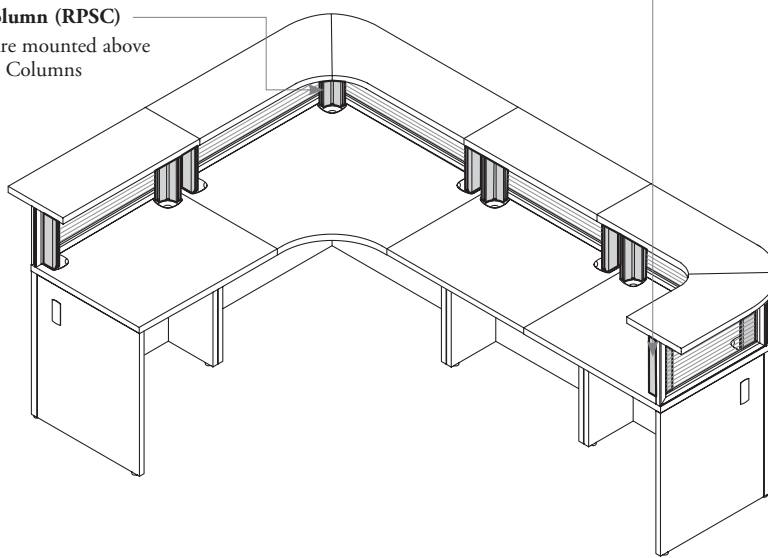
countertop basics (continued)

Countertop Supports

Two support styles are available for countertop installations

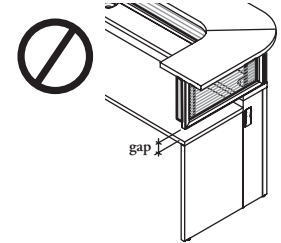
Structural Column (RPSC)

Countertops are mounted above 13" Structural Columns

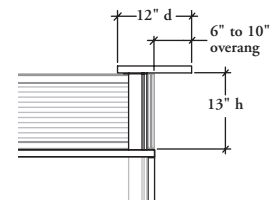


Countertop Support (RCCS)

- Allows installation of a corner countertop along the depth of a desk, but **cannot** be applicable with Height-Adjustable Desks



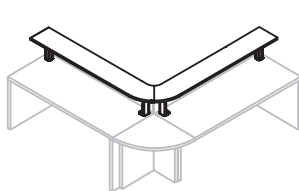
- Approximate total height is 43"



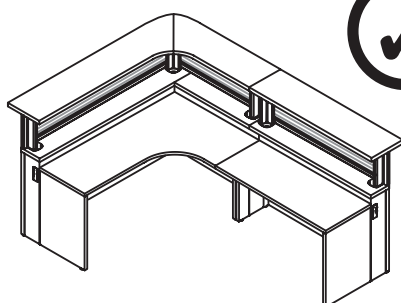
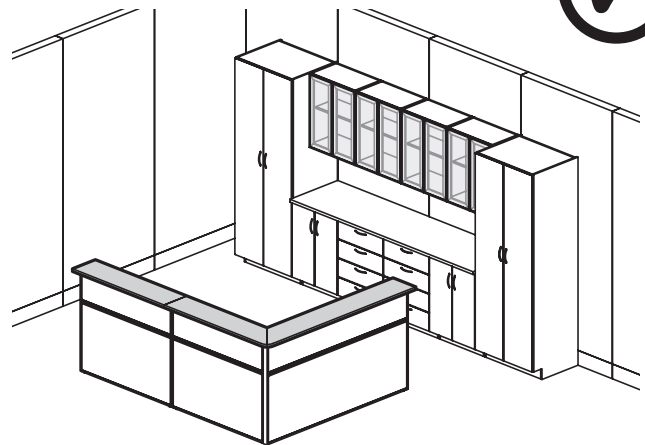
- Available in Foundation or Mica colors

Countertop Applications

- Can be connected to one another
- Can be installed on Fixed-Height Desks, except in this application



Modular Cabinets Application



Height-Adjustable Desks Application