


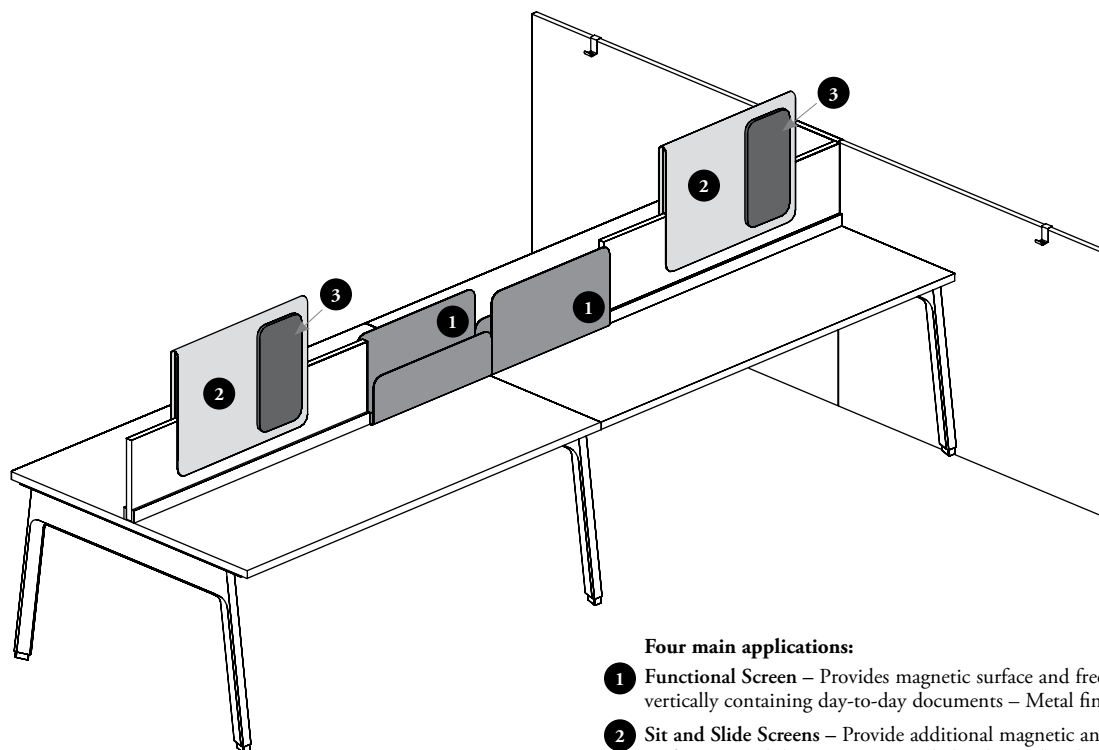
# casual screens & accessories

UNDERSTANDING CASUAL SCREENS . . . . .	554
FLOOR SCREEN – FREESTANDING BASICS . . . . .	555
PLANNING WITH FLOOR SCREENS – FREESTANDING . . . . .	556
FUNCTIONAL SCREEN BASICS . . . . .	559
SIT & SLIDE SCREEN BASICS . . . . .	560
PLANNING WITH SIT & SLIDE SCREENS . . . . .	561
CASUAL BOARD BASICS . . . . .	565
PLANNING WITH CASUAL BOARDS . . . . .	566
ACCESSORY SCREEN BASICS . . . . .	570

## understanding casual screens

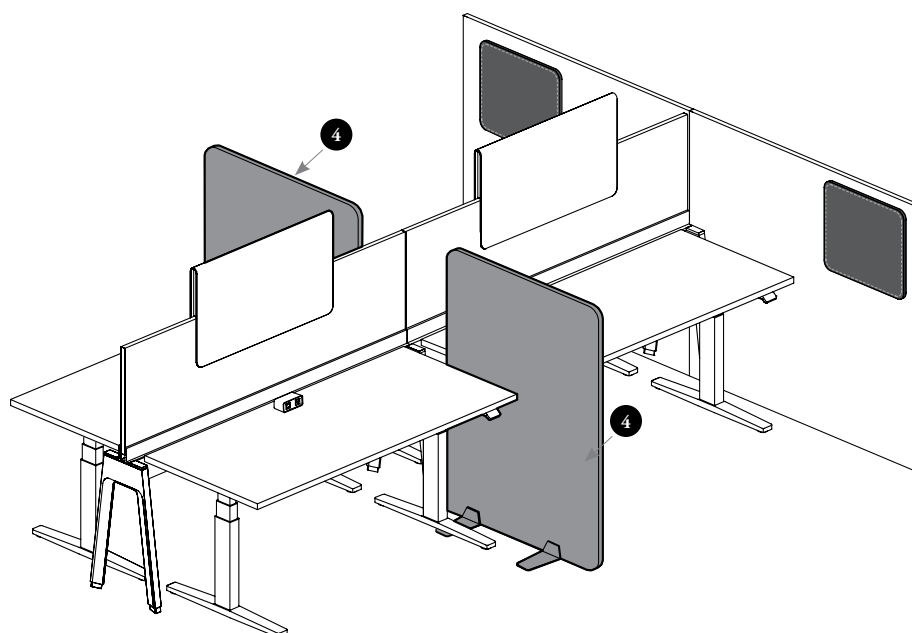
Expansion Cityline offers a variety of casual screens for space division. They provide user partial visual and territorial privacy and a lighter aesthetic for both complementary applications.

 Casual Screens can be used in a EZ Fence environment



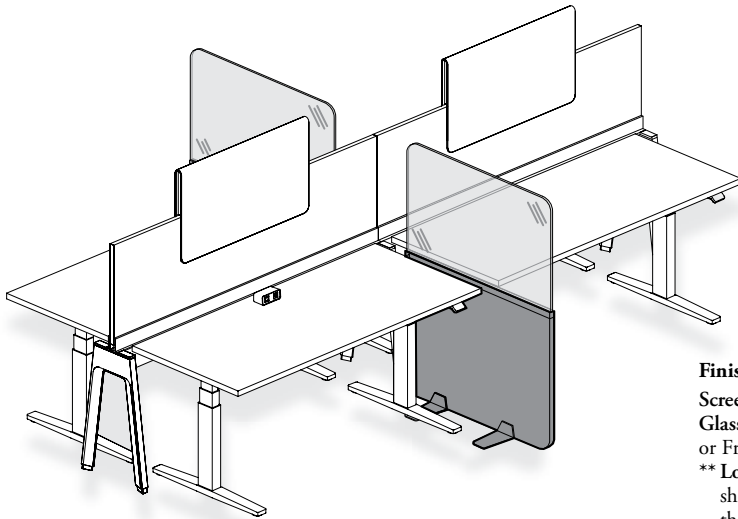
### Four main applications:

- 1 **Functional Screen** – Provides magnetic surface and frees-up the worksurface by vertically containing day-to-day documents – Metal finishes
- 2 **Sit and Slide Screens** – Provide additional magnetic and/or writable, or tackable surface over solid screens. Can easily be changed and reconfigured without tools – Metal, Felt or Metal with Felt Accessories finishes
- 3 **Casual Boards** – Provide casual writable and/or magnetic, or tackable surface on front of solid screens or when applicable, Metal Sit & Slide Screens – Glass or Felt finishes
- 4 **Floor Screen – Freestanding** – Create privacy and physical separation between workstations or corridor while being easily reconfigurable – Solid screen with or without Glass finishes



# floor screen – freestanding basics

Freestanding Floor Screens are used between Height-Adjustable Tables or at the end of workstations to create partial visual and territorial privacy.



### Finishes

Screen Finishes: Source Laminate

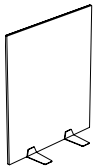
Glass Finishes: Clear (CL), Frost (FT), Satin (FB), Clear – Low Iron (LA)\*\* or Frost – Low Iron (LB)\*\*

\*\* Low Iron Glass Finishes reduce the greenish render of standard glass. They should be specified anytime this product is installed on the same workstation than a Glass Elevated Screen

Frame Finishes (If Applicable): Foundation, Mica and Accent

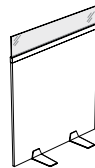
Foot Finishes: Foundation, Mica and Accent

- Comes with two Supporting Feet with Covers
- 42", 51" or 57" high visual screen that provides privacy from floor level
- Does **not** provide support to the worksurface
- Comes with Standard (S) or Radius (R) (Shown) Corner Details



### Floor Screen – Freestanding (JNSFSF)

- Widths include 42" – 54" (6" increments)
- Available 1" thick and two-sided finished

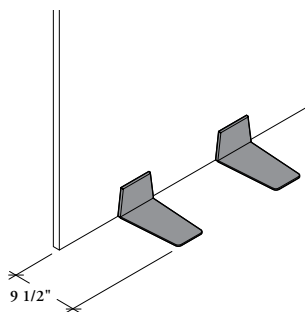


### Floor Screen with Glass – Freestanding (JNSFGF)

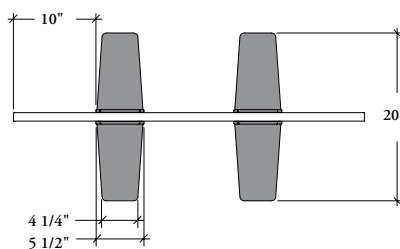
- Widths include 42" – 54" (6" increments)
- Available with a 1/4" (6 mm) thick tempered glass on top and 1" thick solid two-sided finished on bottom
- 29" glass starting high is available with 42" or 51" datum height
- 42" glass starting high is available with 51" or 57" datum height

### feet details

- The foot has a slim profile to minimize interferences with other products
- Are available in 3/16" thick with bumpers for a total thickness of 1/4"
- Does **not** provide leveling

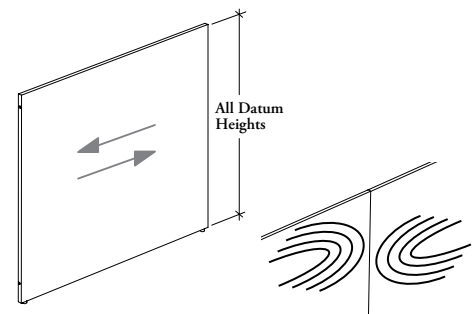


### TOP VIEW



### grain direction

- The grain direction on Laminate Solid Screens is **not** directional and always runs horizontal
- On Cathedral Grain the pattern may appear on opposite direction on side by side screen panel

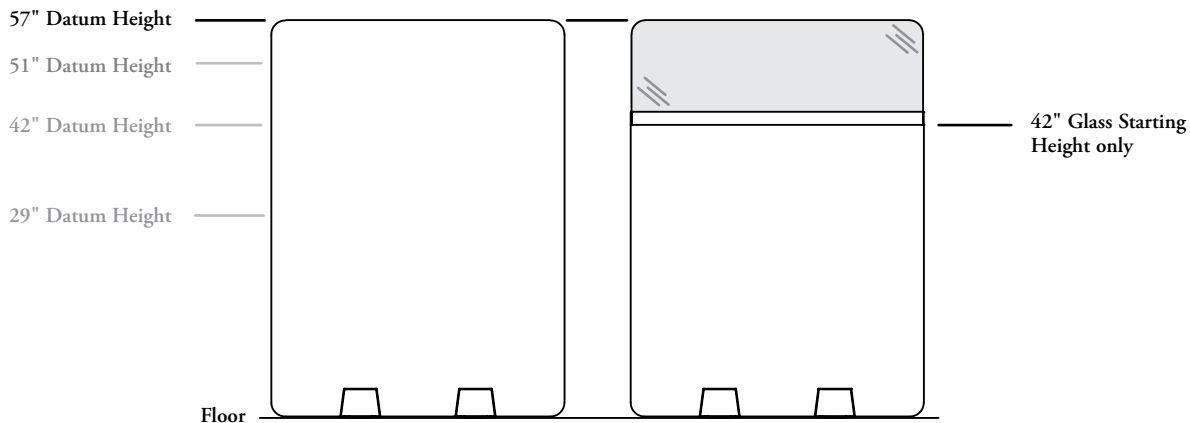
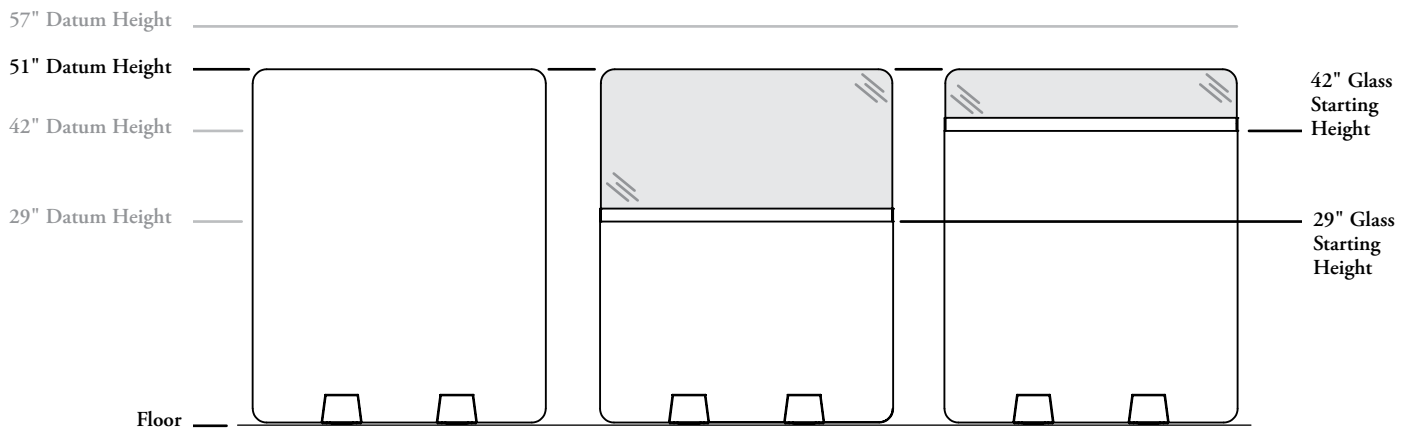
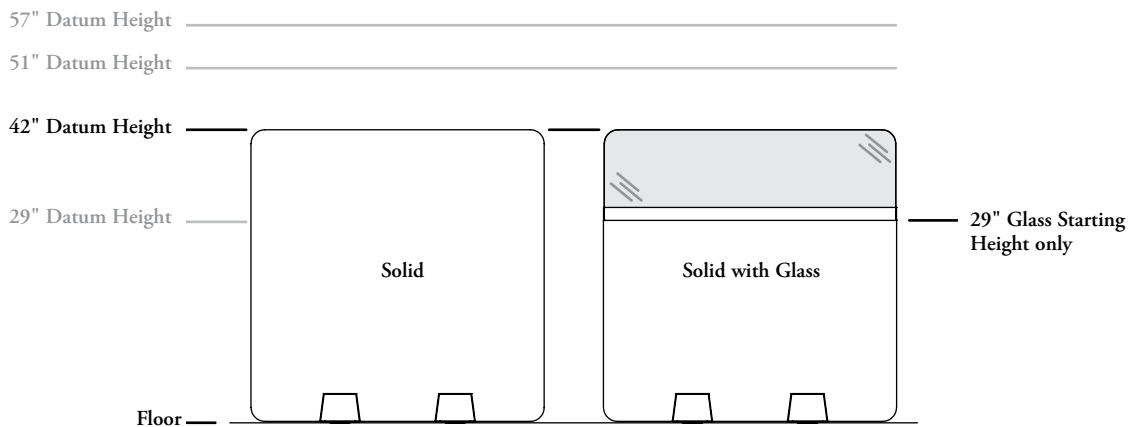


# planning with floor screens – freestanding

The following should be considered when planning with Freestanding Floor Screens.

## datum heights

- Match Teknion standard datum heights: 42", 51" or 57"
- **Cannot** be linked together
- Due to its design **no** levelers, Freestanding Floor Screen may **not** perfectly align with other products with a wider leveling range
- Are available in the following heights to provide various of privacy

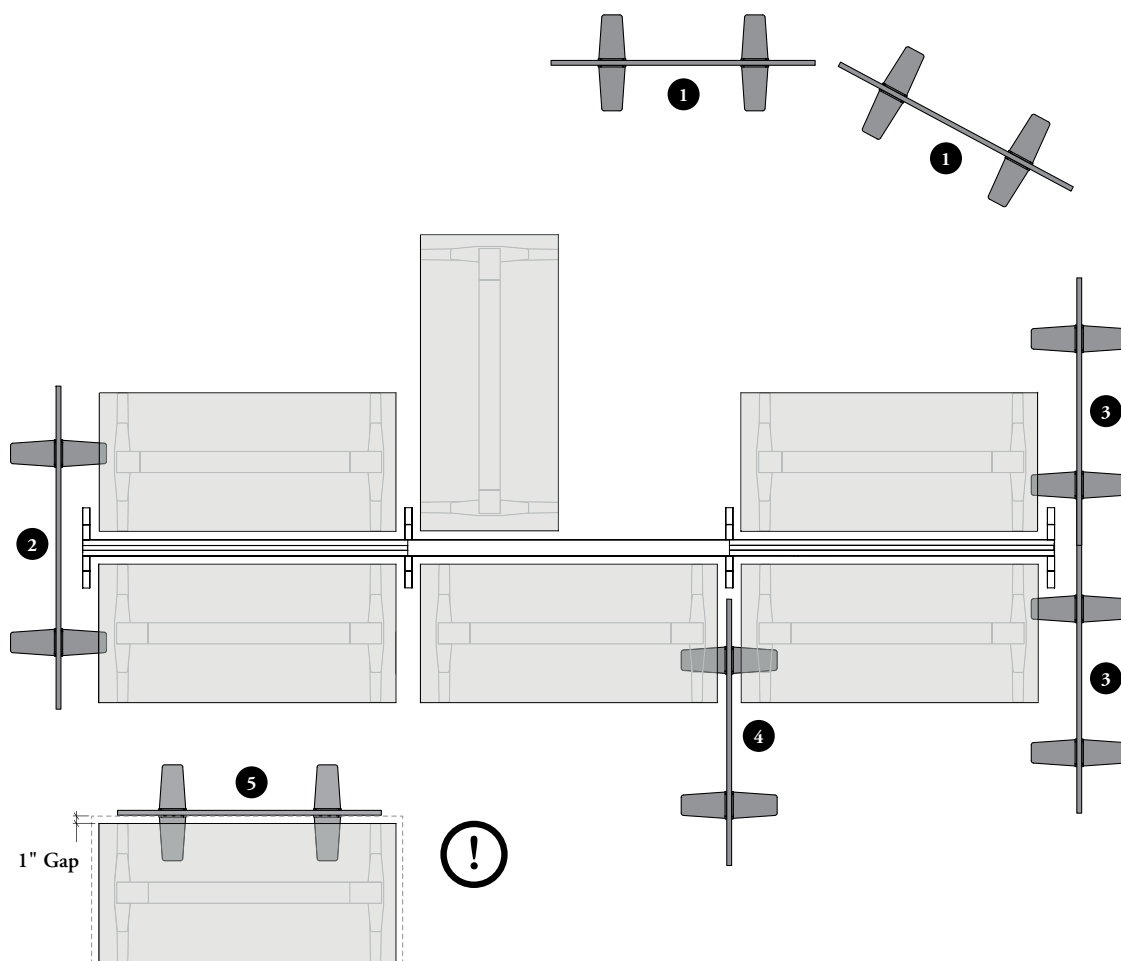


# planning with floor screen – freestanding (continued)

Can be used anywhere on a floor plan to provide functional privacy and space division through the workplace.

## locations

- Screens can be used in the following locations
- It is **the** only floor screen solution compatible with Low Fence layouts
- When combined with Height-Adjustable Tables, a minimum of 1" gap between the table and the screen must maintained at all time for product security

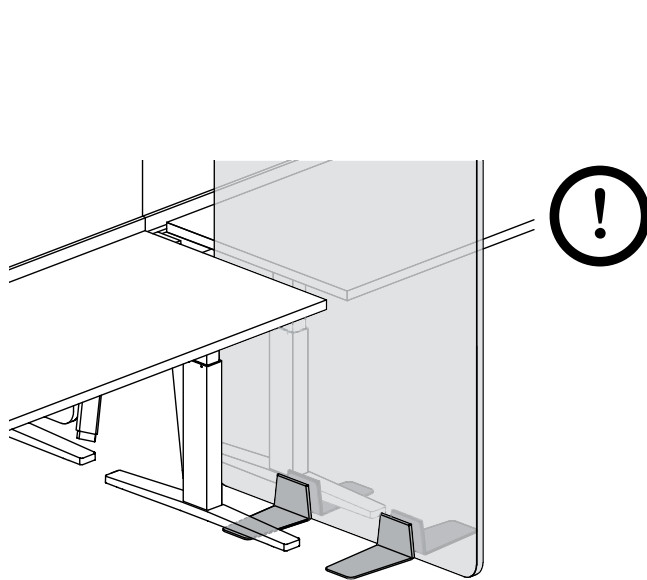


### Five positions are allowed:

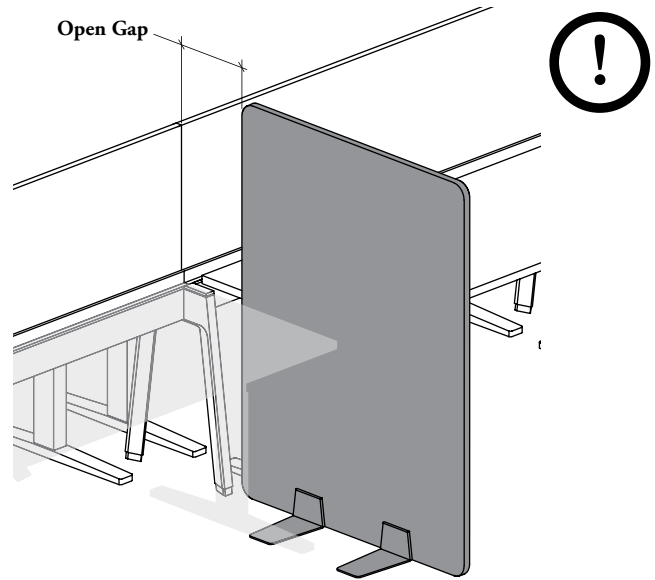
- 1 **Workspace Divide** – Can be used to casually divide the workspace, It is **not** required to be connected to a Cityline Structure
- 2 **End of Workstation** – One screen shared on the outside of two workstations. Mounts centered to the end of a Cityline Fence station. The 54" wide Freestanding Floor Screen will cover a workstation with 23" deep Height-Adjustable Tables parallel to the beam
- 3 **Side-to-Side** – Two screens can be placed side-to-side on the outside of a Fence Workstation to create an extended territorial division
- 4 **Between Height-Adjustable Tables** – A Freestanding Floor Screen can be placed between two Height-Ajustable Tables parallel to the beam to separate two users
- 5 **On-Module with Height-Adjustable Tables** – Can be used on-module behind a Height-Adjustable Table, but will need to **keep a 1" gap between the table and the screen**

# planning with floor screens – freestanding (continued)

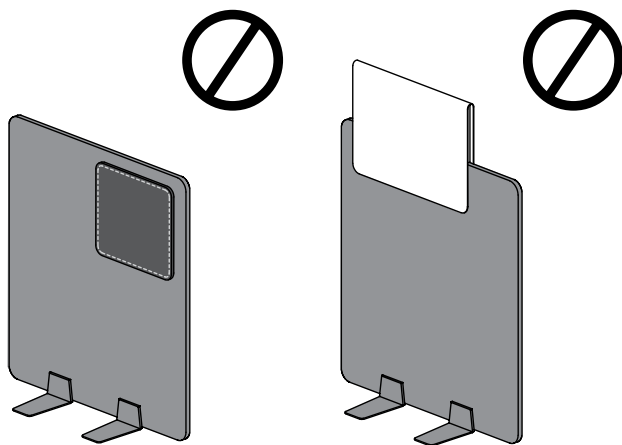
## screen restrictions



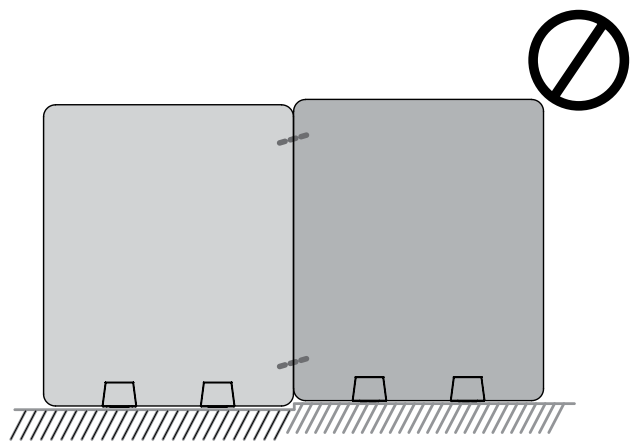
When used between two Height-Adjustable Tables, tables need to be leveled to pass over the Freestanding Floor Screen Foot. The remaining leveling range will be limited



Using a Freestanding Floor Screen in front of a Cityline Fence Leg will leave an open gap between the floor screen and the beam mounted add on screen



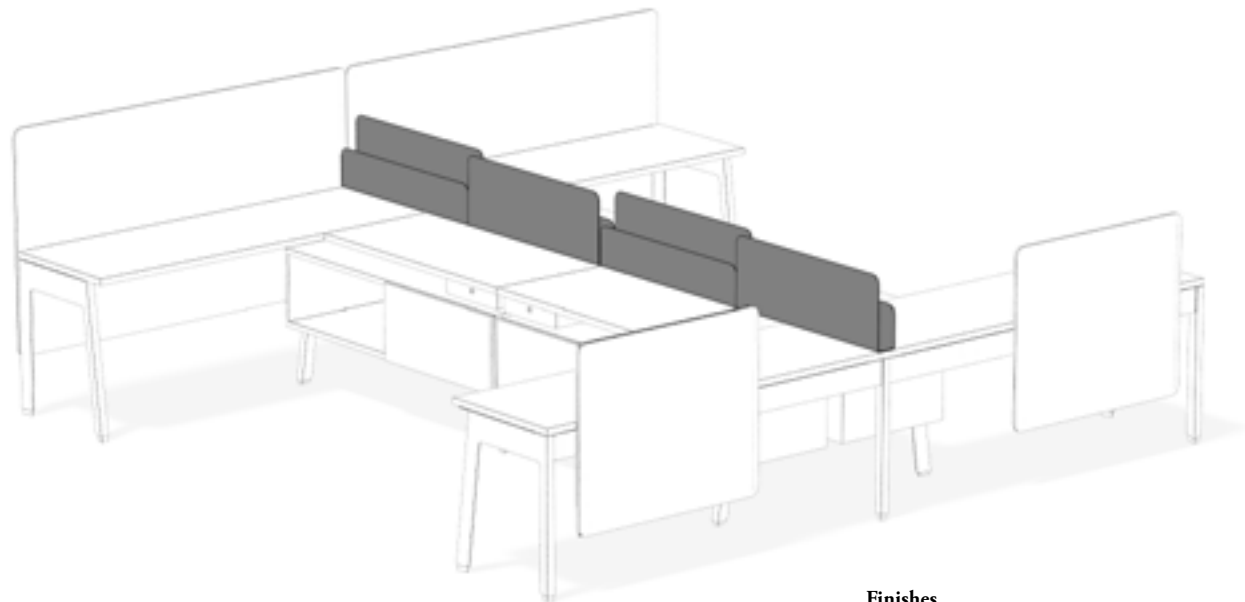
A Casual Board or Sit-and-Slide Screen **cannot** be used with the Freestanding Floor Screen. Stability will otherwise be compromised



Two Freestanding Floor Screens **cannot** be linked together, therefore uneven building floor may make them look misaligned

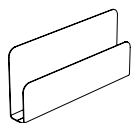
# functional screen basics

Functional Screen which mounts onto worksurfaces to create partial visual and territorial privacy, provides magnetic surface and frees-up the worksurface by vertically containing day-to-day documents.



**Finishes**

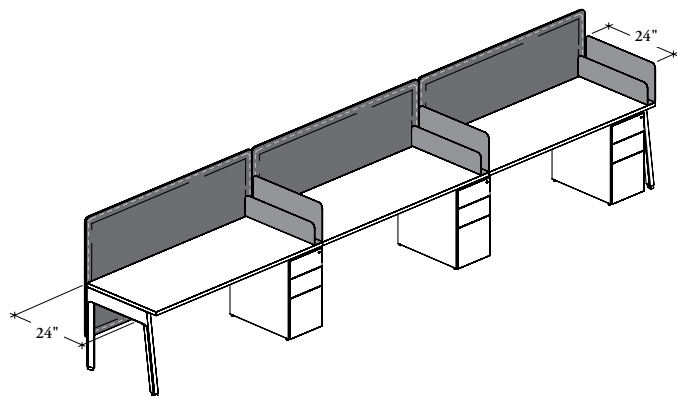
Screen Finishes: Foundation, Mica and Accent  
Felt Inlay Finishes: Loft



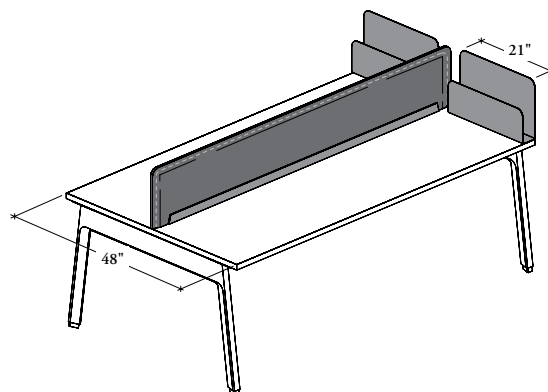
**Functional Screen (JNSFM)**

- Finish style is available in Standard Paint (S) only
- Available 4" deep only
- Height above worksurface include:
  - 42" high datum
- Widths include 21", 23", 24", 27", 29", 30" – 48" (3" increments) and 54" – 84" (6" increments)
- Permanently screwed on worksurface

## applications



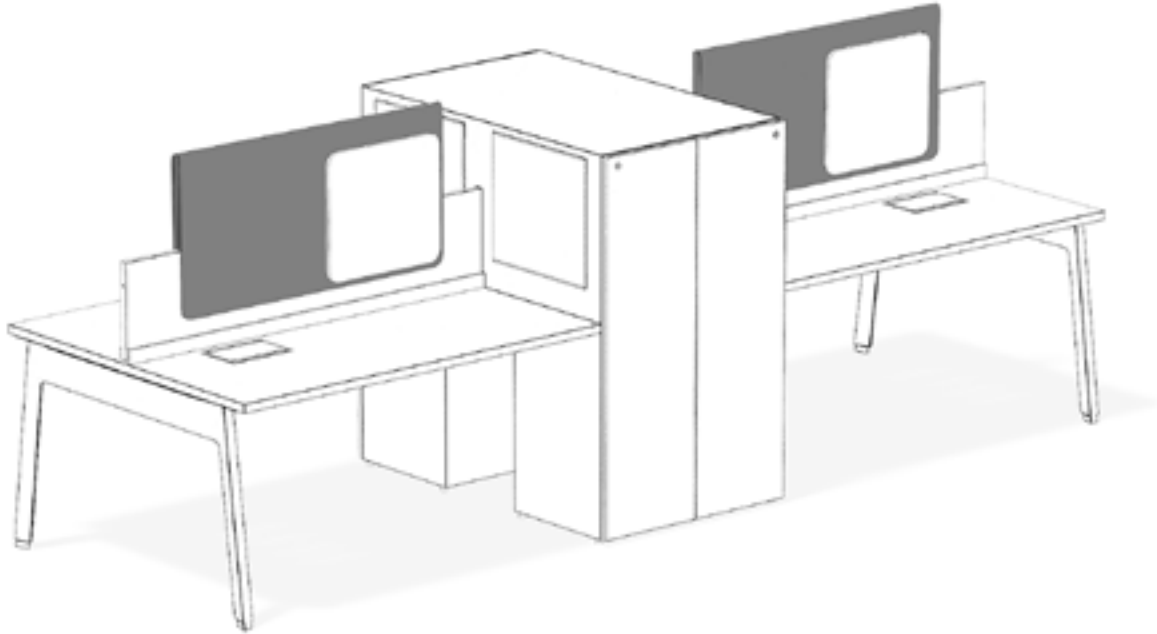
When used with Beam-Mounted Elevated Screens, the Functional Screen can be of same dimension than the worksurface depth



When used with Worksurface- Mounted Add-On Screens, the Functional Screen must be specified one increment shorter than Single-Sided Worksurface depth, and one increment shorter than half worksurface depth in Double-Sided application

## sit & slide screen basics

Sit and Slide Screens are installed over solid panels to provide movable visual privacy and/or additional functionality.



- Provide additional magnetic and/or writable, or tackable surface over solid screens. Can be seated along the top edge of all Solid Screens
- Can easily be changed and reconfigured without tools
- Datum heights include 44", 53" or 59"
- Mount onto solid screen datum heights of 42", 51" or 57" (Base Screen Datum Height). Sit and Slide Screens can only be mounted on a base screen of the same height than the one it is specified for
- Must be specified at least 18" narrower than base screen if at least one of its end would allow a free fall

### Sit and Slide Screen – Metal (JNSSM) (Shown)

- Provides movable visual privacy and available in two finish styles:
  - Standard Paint (S); accepts magnets only on both sides
  - Writable Paint (W); limited offering, provides writable surface and accepts magnets on both sides
- Widths include 24" – 42" (6" increments)
- Only dry erase markers can be used

**Screen Finishes:** Standard Paint option is available in Foundation, Mica or Accent colors or Writable Paint option is available with Whiteboard (WZ) only

### Sit and Slide Screen – Felt (JNSSE)

- Provides movable privacy and tackable surfaces on both sides accommodate the visual display of paper-based information
- Widths include 24" – 42" (6" increments)

#### Felt Finish: Loft

**Stitches Finishes:** Carbon Coordinate (C), Shale Coordinate (E), Carrara Coordinate (G) or Umber Coordinate (M)

### Sit and Slide Screen with Accessories – Metal (JNSSA)

- Provides movable visual privacy and available in Standard Paint (S) only; accepts magnets on both sides
- The Felt Accessories provide small tackable surface, paper management and storage for small items
- Available 24" wide only
- The Felt Accessories can be specified in Single- (S) or Double-Sided (D) configuration

**Screen Finishes:** Foundation, Mica and Accent

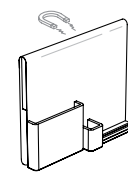
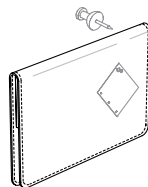
**Accessory Finish:** Loft



Standard  
Paint (S)



Writable  
Paint (W)



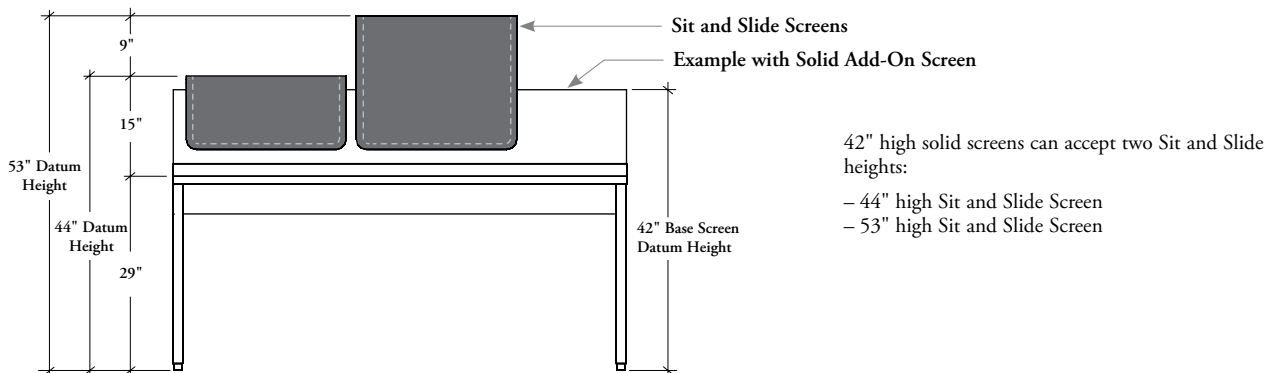


# planning with sit & slide screens

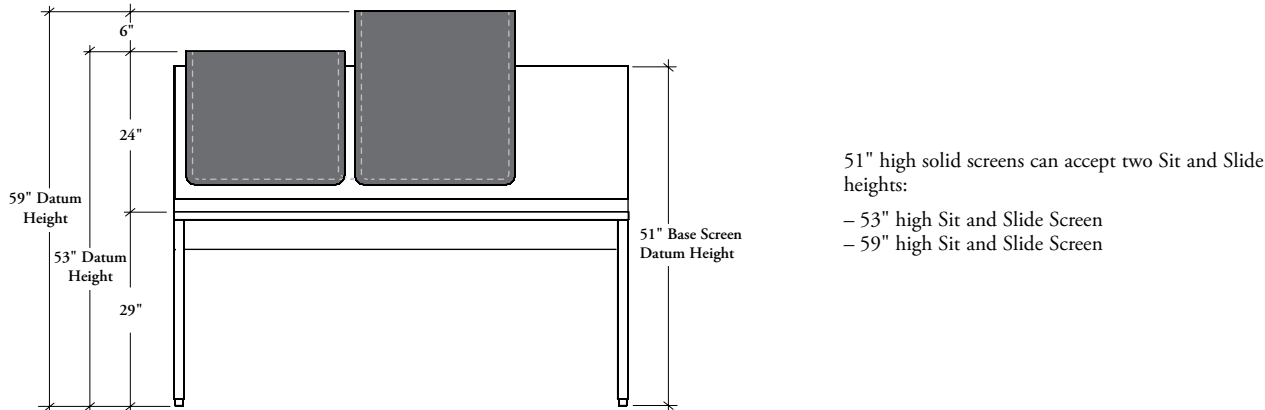
The following should be considered when planning with Sit and Slide Screens.

- Sit and Slide Screens are available to be mounted on three Teknion standard datum heights: 42", 51" or 57"
- Sit and Slide Screens can only be mounted on a base screen of the same height than the one it is specified for
- Sit and Slide Screens may impact the stability of workstations, refer to:
  - page 242 Single-Sided Casual Workstation – Desk Structure
  - page 274 for Low Fence – Desk Structure
  - page 280 for Fence – Desk Structure
  - EZ Fence **does not** have stability limitations
- All dimensions are nominal

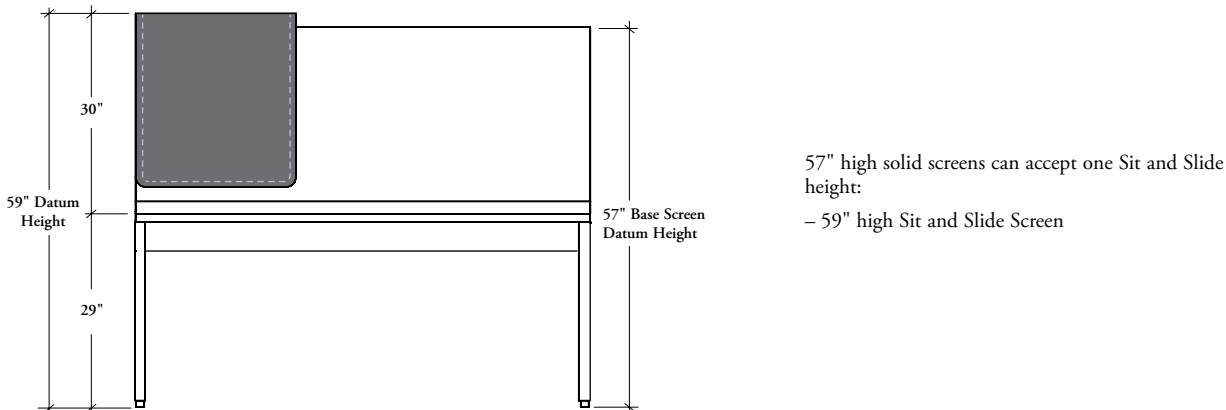
## 42" base screen datum height application – standard height beam



## 51" base screen datum height application – standard height beam

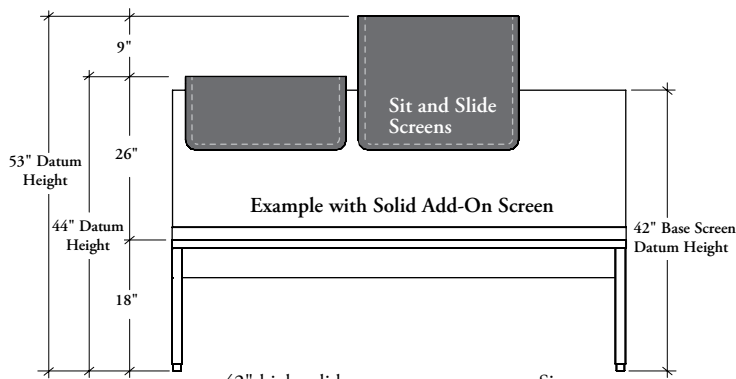


## 57" base screen datum height application – standard height beam

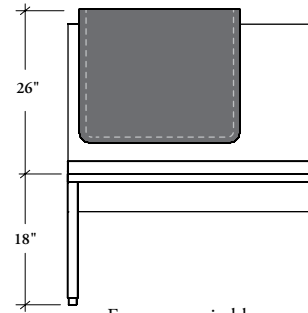


# planning with sit & slide screens (continued)

## 42" base screen datum height application – low height fence

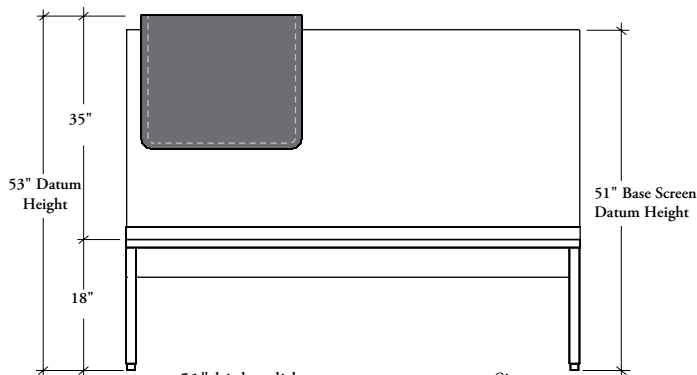


42" high solid screens can accept two Sit and Slide heights:  
– 44" high Sit and Slide Screen  
– 53" high Sit and Slide Screen

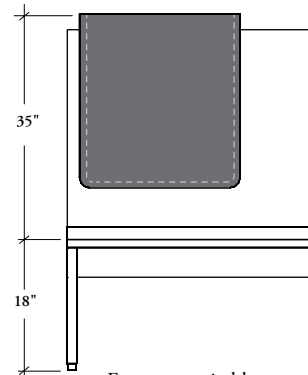


For more writable or tackable surface, a 53" high Sit and Slide Screen for the 51" base screen datum, can be used on 42" high Beam-Mounted Add-On Screen on low height fence

## 51" base screen datum height application – low height fence

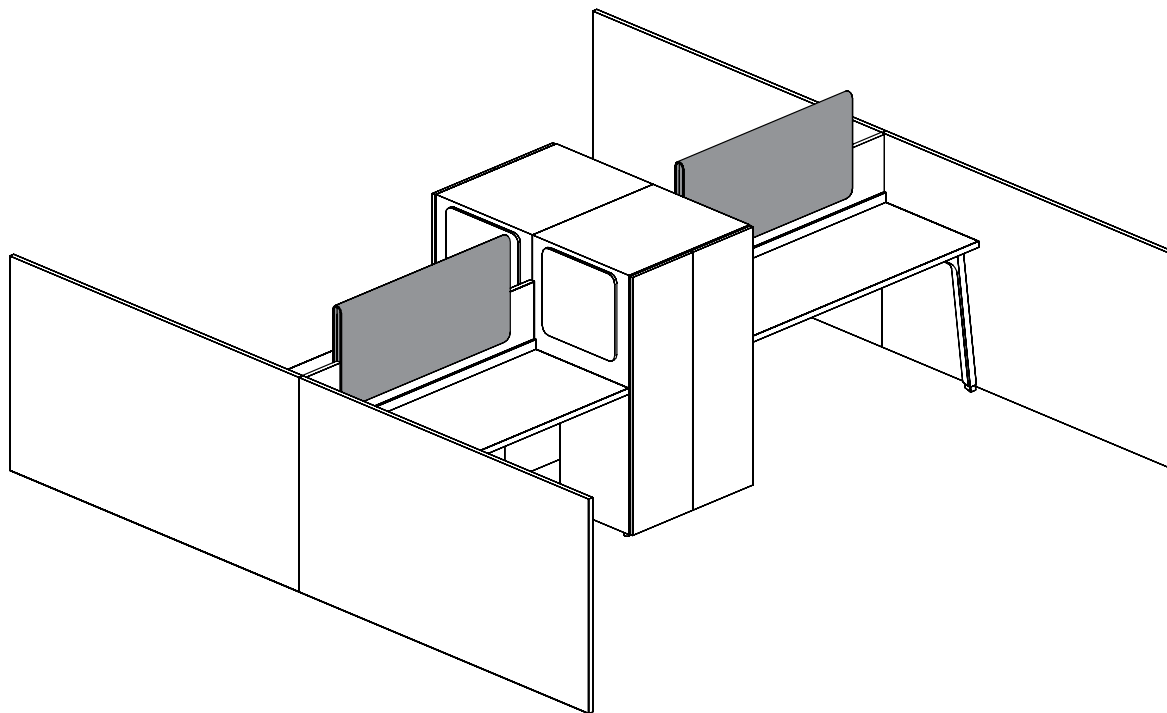


51" high solid screens can accept two Sit and Slide heights:  
– 53" high Sit and Slide Screen  
– 59" high Sit and Slide Screen

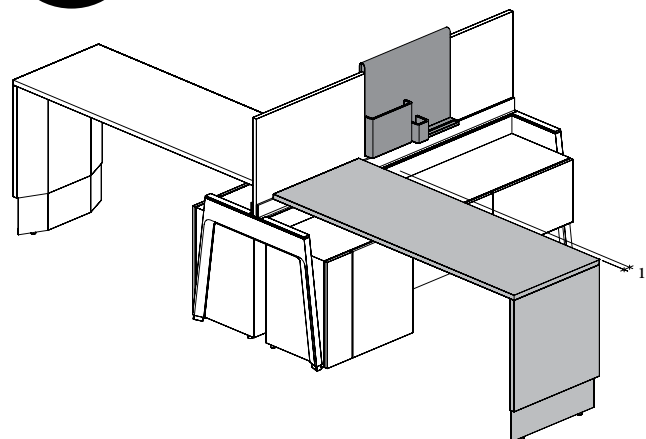
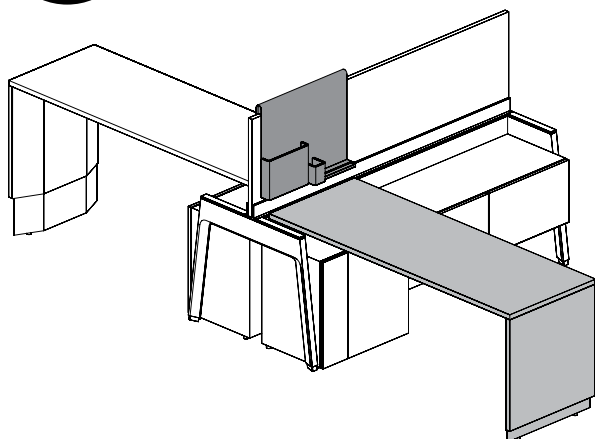
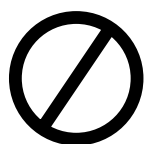


For more writable or tackable surface, a 59" Sit and Slide Screen for the 57" base screen datum, can be used on 51" high Beam-Mounted Add-On Screen on low height fence

## planning with sit & slide screens (continued)

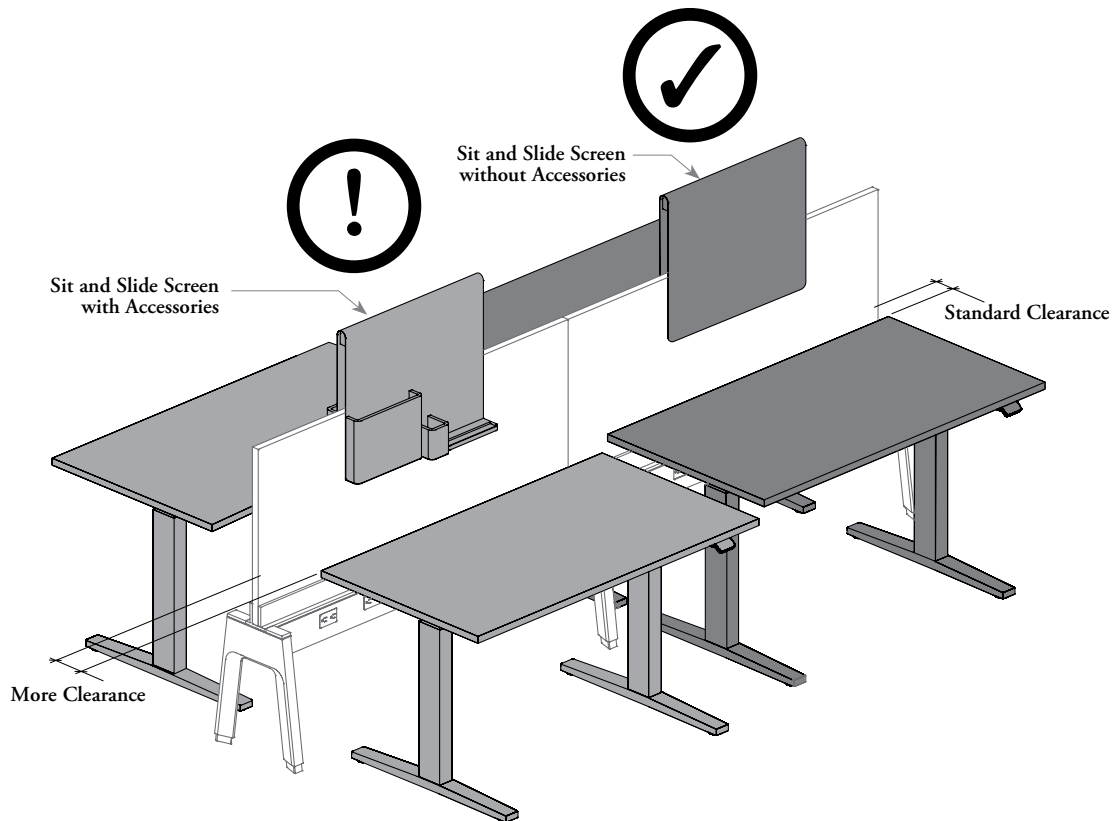


- Can only be mounted onto the following Workstation or EZ Fence Screens:
  - Solid Add-On Screens (JNSASB, JNSASW or JZSASB)
  - Solid Elevated Screens (JNSESB, JNSESW or JZSESB)
  - Solid Floor Screens (JNSFSB, JNSFSW or JZSFSB)
- A Casual Board – Felt can be specified separately and placed on front of a Sit and Slide Screen – Metal for additional functionality. For details, refer to page 566
- Must be specified at least 18" narrower than base screen if at least one of its end would allow a free fall as shown on illustrations below



- When planning with height-adjustable run-off, careful consideration must be taken when positioning the accessories close to run-offs. Refer to the Height-Adjustability section for details
- All Sit and Slide Screens can be placed above Height-Adjustable Run-Offs with Bevel Base (JNHB), except Sit and Slides with Accessories – Metal (JNSSA). The end edge of the run-off worksurface interferes with the felt accessories and prevents the up/down movement

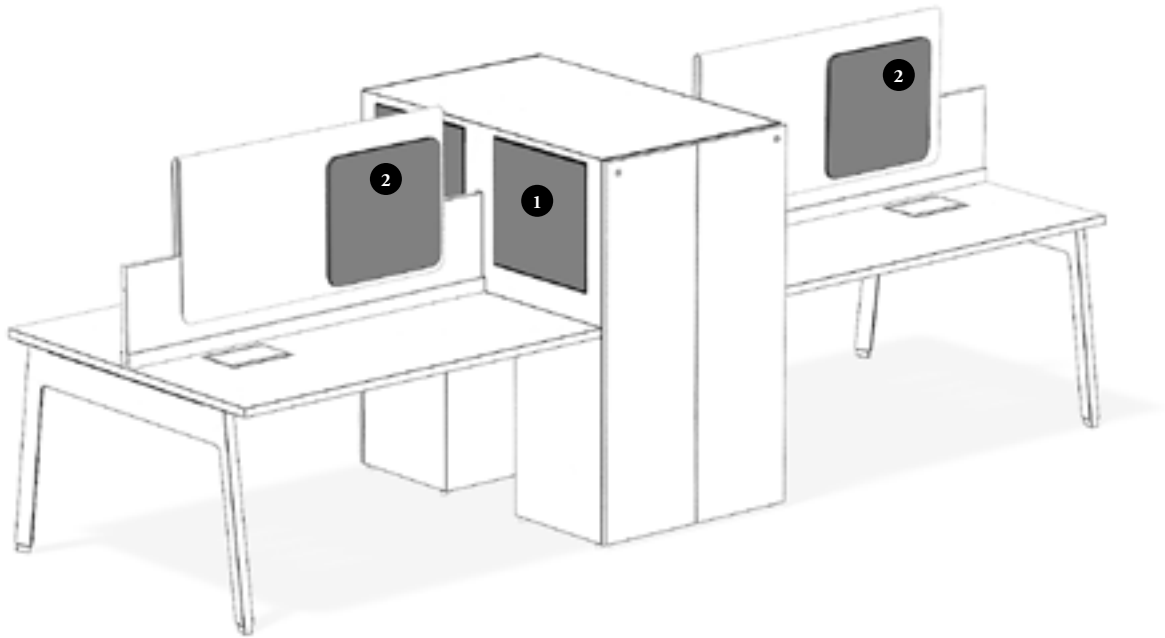
## planning with sit & slide screens (continued)



- All Sit and Slide Screens can be placed above hiSpace or Navigate Worksurfaces (JNXRW, JNXCRW, JNXV, JNHWRF, JNHCWRF and JNHV), except Sit and Slides with Accessories – Metal (JNSSA). The end edge or the back edge worksurface interferes with the felt accessories and prevents the up/down movement
- When planning with Sit and Slides with Accessories – Metal (JNSSA), allow more clearance between Height-Adjustable Tables and screen

# casual board basics

Casual Boards can be installed on Solid Screens or Freestanding Storage to provide additional functionality.



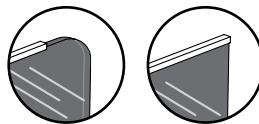
- Provides writable and/or magnetic, or tackable board
- Can be mounted on front of Solid Screens and side of Freestanding Storage with datum heights of 42", 51" or 57"

### Casual Board – Glass (JNSCG)

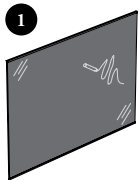
- Are available in two Markerboard Styles:
  - Glass Only (G); erasable message board only
  - Magnetic Glass (M); erasable message board and accepts magnets
- Widths include 12" – 42" (3" increments)
- Available in Radius (R) or Standard (S) corner details
- Tempered glass thickness is 5/32" (4 mm)
- Only dry erase markers can be used

**Glass Finish:** Back-Painted

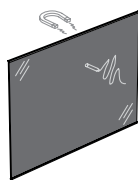
**Mounting Hardware Finish:** Will match the Glass Finish



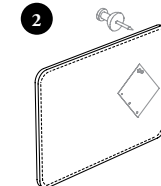
Radius (R)      Standard (S)



Glass Only  
(G)



Magnetic  
Glass (M)



### Casual Board – Felt (JNSCE)

- Provides tackable surface which accommodates the visual display of paper-based information
- Widths include 12" – 42" (3" increments)
- Available in Radius (R) corner detail only

**Felt Finish:** Loft

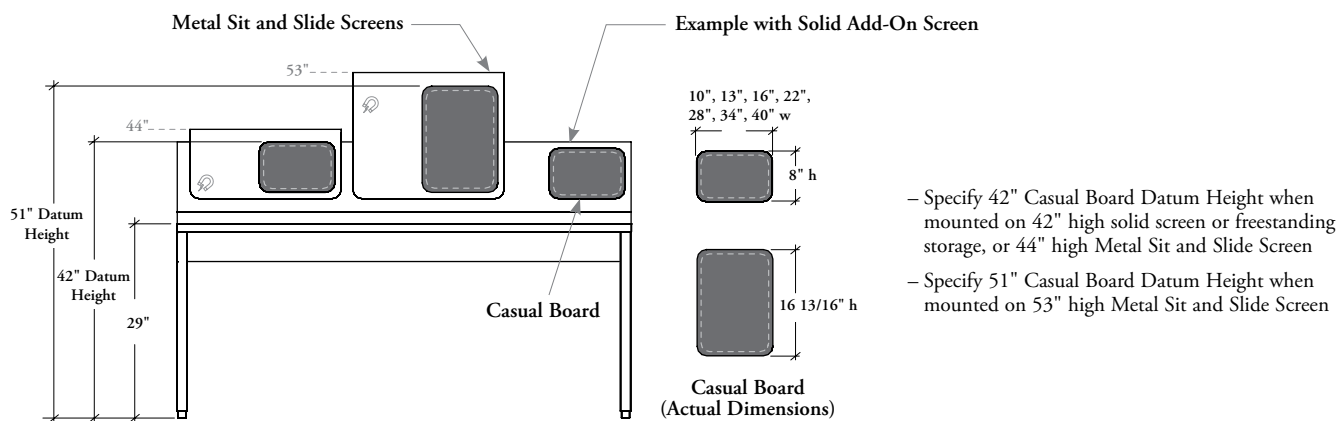
**Stitches Finish:** Carbon Coordinate (C), Shale Coordinate (E), Carrara Coordinate (G) or Umber Coordinate (M)

## planning with casual boards

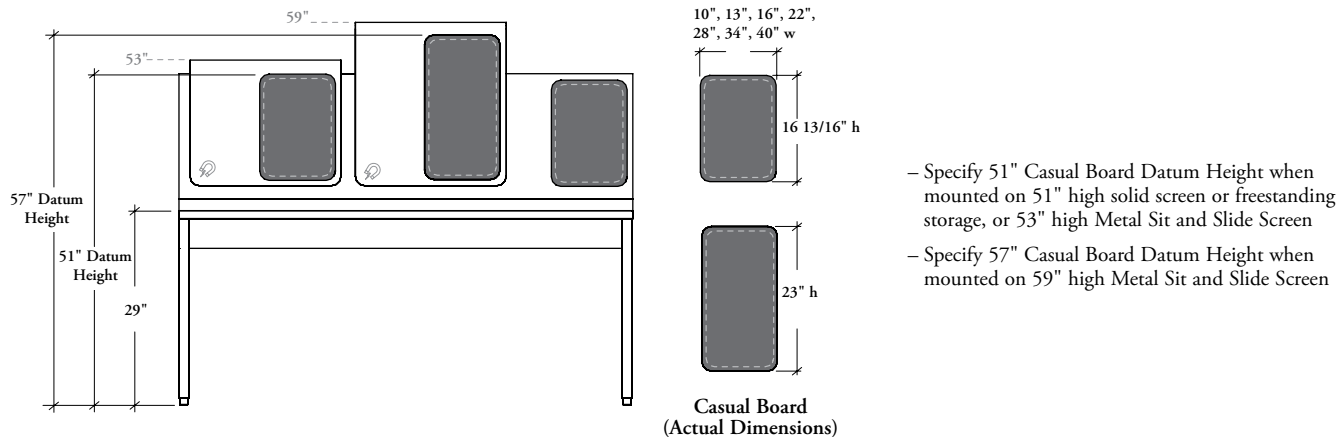
The following should be considered when planning with Casual Boards.

- Casual Boards are available to be mounted on three Teknion standard datum heights: 42", 51" or 57"
- A Casual Boards – Glass mounted on the corridor side of Single-Sided Bench or Single-Sided Casual workstation, or Single-Sided EZ Fence will impact its stability. Therefore, it is **not** allowed
- All dimensions are nominal, a gap is intended all around the board
- Only Casual Boards – Felt can be mounted onto Sit and Slide Screens – Metal

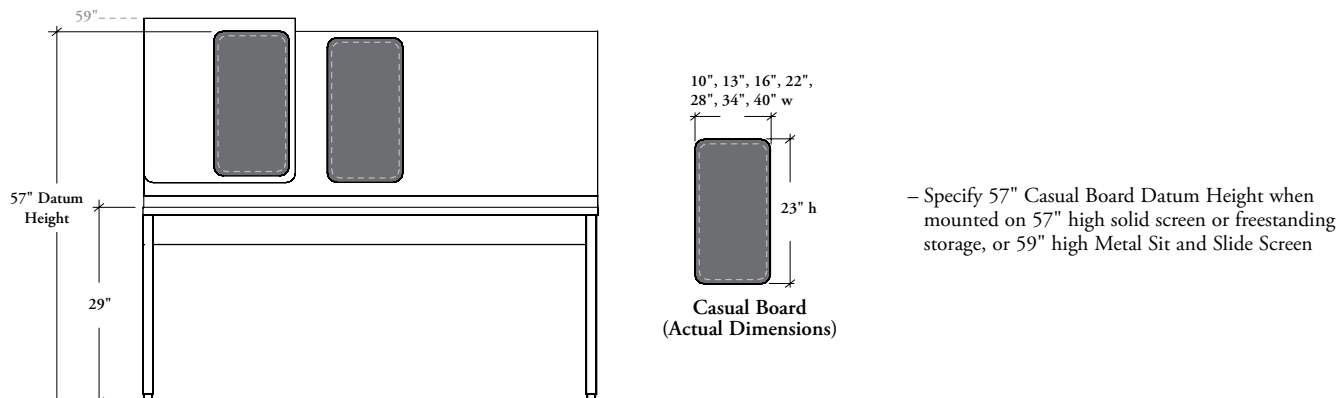
### 42" datum height application – standard height fence



### 51" datum height application – standard height fence

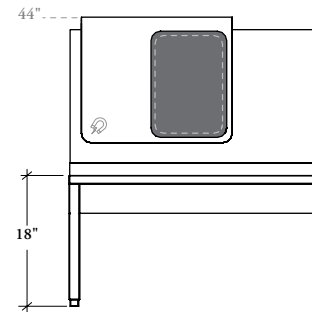
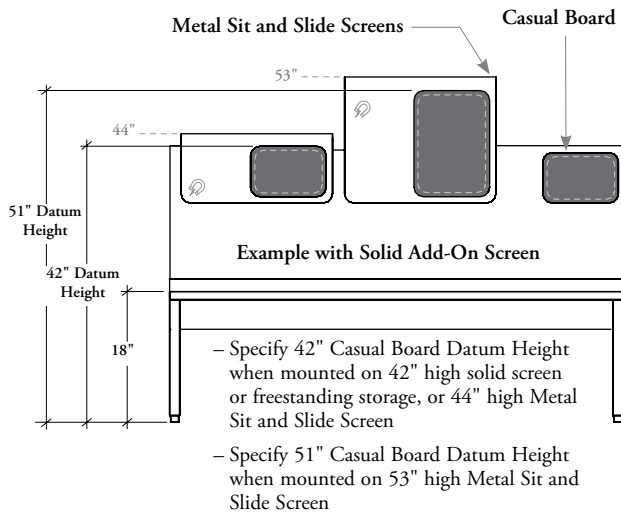


### 57" datum height application – standard height fence



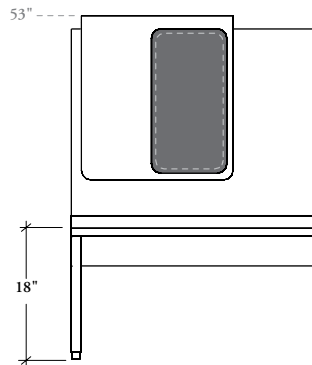
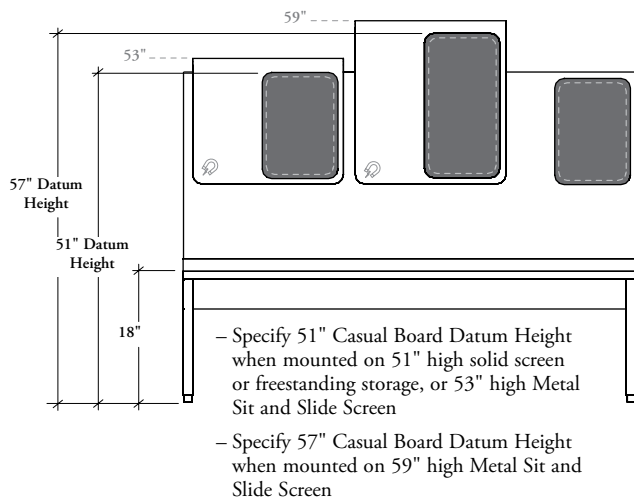
# planning with casual boards (continued)

## 42" datum height application – low height fence



For more writable or tackable surface, a 53" Casual Board Datum Height of the 51" datum height application, can be used on 42" high Beam-Mounted Add-On Screen on low height fence

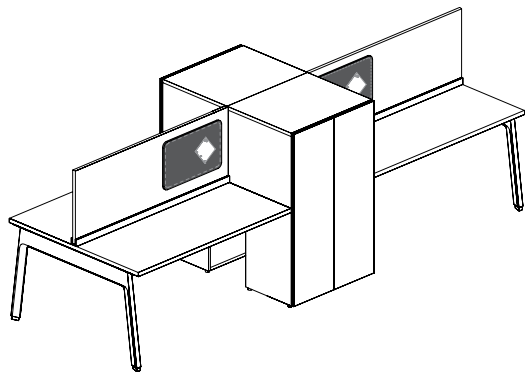
## 51" datum height application – low height fence



For more writable or tackable surface, a 59" Casual Board Datum Height of the 57" datum height application, can be used on 51" high Beam-Mounted Add-On Screen on low height fence

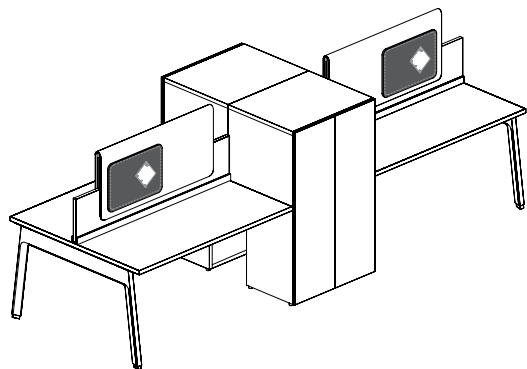
## planning with casual boards (continued)

The Casual Boards can be mounted on three product styles:

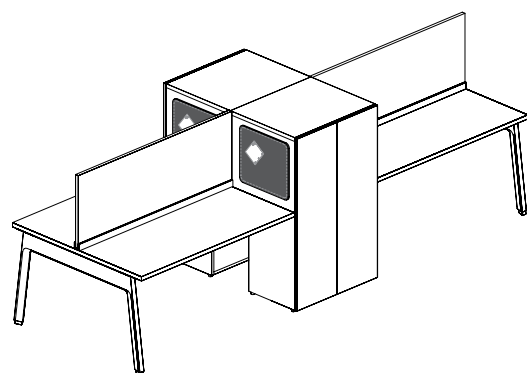


Can be mounted above worksurface and on front of a solid Workstation or EZ Fence Screens listed below:

- Solid Add-On Screens (JNSASB, JNSASW or JZSASB)
- Solid Elevated Screens (JNSESB, JNSESW or JZSESB)
- Solid Floor Screens (JNSFSB, JNSFSW or JZSFSB)
- Solid Floor Screens with Glass (JNSFGB, JNSFGW or JZSFGB) on solid section only
- Solid Floor Screens with Metal Towers (JNSFOL, JNSFOT, JNSFDL, JNSFDT, JNSFTL, JNSFTT, JZSFOP, JZSFDP, or JZSFTP)



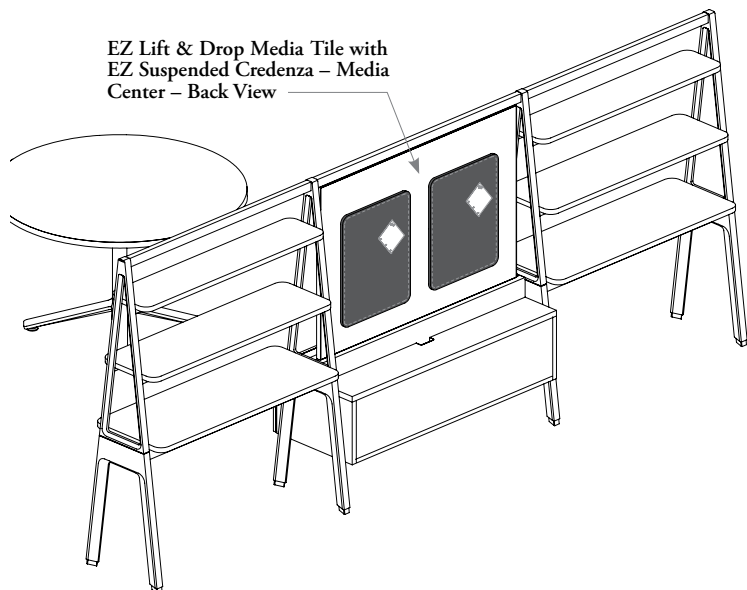
- Casual Board – Felt can be mounted on front of a Metal Sit and Slide Screen (JNSSM) only
- Casual Board – Glass **cannot** be mounted on front of a Metal Sit and Slide Screen (JNSSM)
- All Casual Boards **cannot** be installed on Felt (JNSSE) or Metal Sit and Slide Screen with Accessories (JNSSA)



- Can be mounted on side of Freestanding Storage listed below:
  - Bookcase (JNFBL)
  - Beam Towers (JNFBPL, JNFBWF, JNFBS, JNFBG)
  - Dual Beam Tower (JNFBDF)
  - Freestanding Towers (JNFTPL, JNFTWE, JNFTS, JNFTG, JNFTTS)
- Casual Board are **not** intended to be installed on back of Freestanding Storage

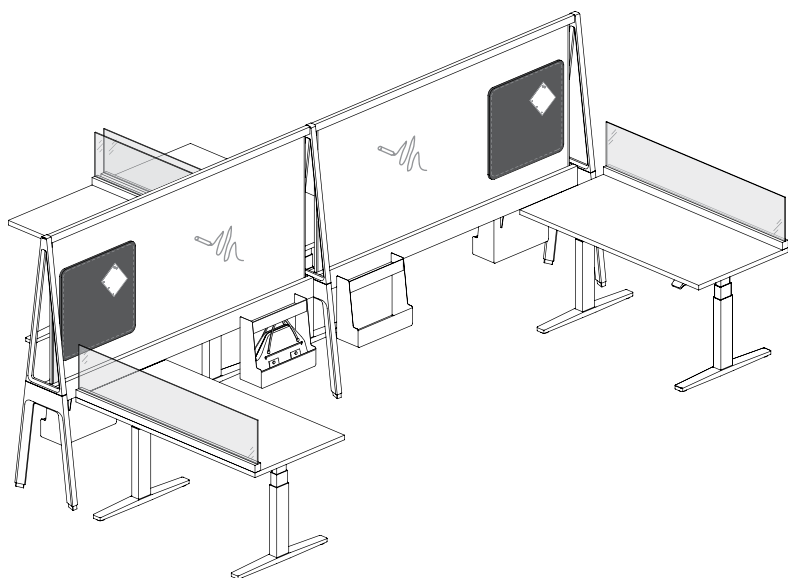


# planning with casual boards (continued)



All Casual Boards can only be mounted on front of a Lift & Drop Tiles listed below:

- Solid Lift and Drop Tile (JZTSH)
- Solid Vertical Grain Lift and Drop Tile (JZTSV)
- Solid Lift and Drop Media Tile (JZTSM)

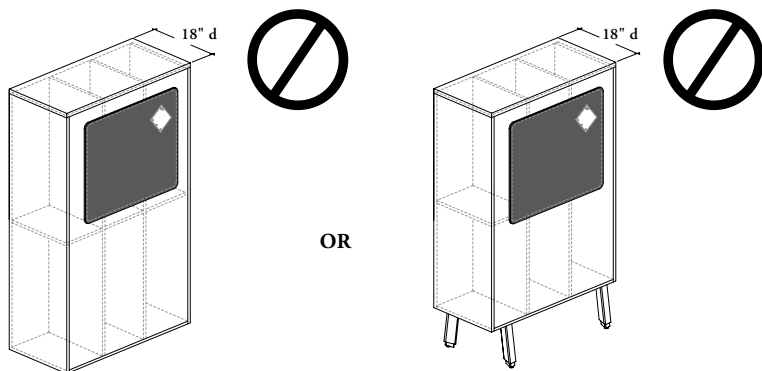


Casual Board – Felt can be mounted on Lift and Drop Tiles listed below:

- Lift and Drop Tile – Solid (JZTSH)
- Lift and Drop Tile – Solid Vertical Grain (JZTSV)
- Lift and Drop Media Tile – Solid (JZTSM)
- Lift and Drop Tile – Metal Markerboard (JZTMW)
- Lift and Drop Tile – Writable Magnetic Glass (JZTGM)

Casual Board – Glass can be mounted on Lift and Drop Tiles listed below:

- Lift and Drop Tile – Solid (JZTSH)
- Lift and Drop Tile – Solid Vertical Grain (JZTSV)
- Lift and Drop Media Tile – Solid (JZTSM)

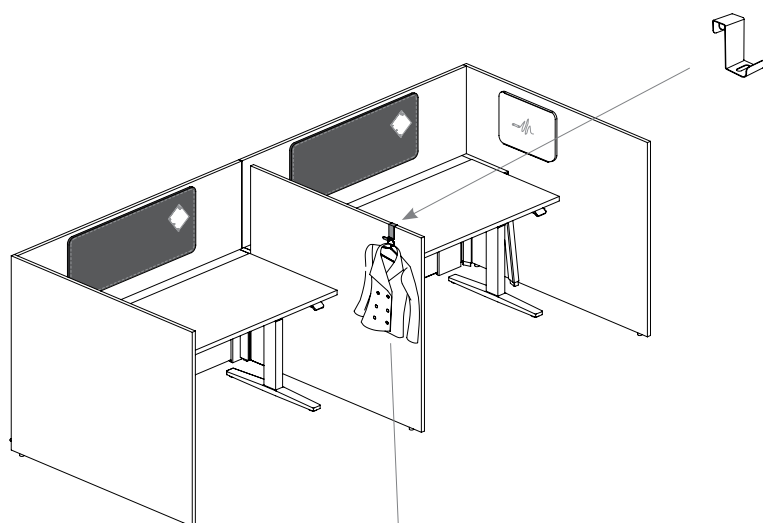


Open Locker

Elevated Open Locker

A Casual Board **cannot** be mounted on Open Locker (JLFB2 or JLFB3) or Elevated Open Locker (JLEB2 or JLEB3) of 18" deep to maintain stability of storage. 24" depth lockers must be used for this application

# accessory screen basics



### Floor Screen Hook (JNSSH)

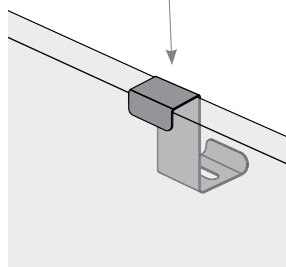
- Complementary accessory to add functionality to a 1" thick Solid Floor Screen
- Can support coat, hat and bags of any type (handbag, laptop, etc.)
- Can be moved easily along top of the solid screen (user reconfigurable)
- Has felt pad to prevent damage to the floor screen on which it is used
- Is included with all Floor Screens with Metal Towers – Leg- or Post-Mounted – One or Two Users (JNSFOL, JNSFOT, JNSFDL, JNSFDT, JNSFTL, JNSFTT, JZSFOP, JZSFDP, or JZSFTP) but can also be specified separately on following Solid Floor Screens:
  - Solid Floor Screen – Beam- or Worksurface-Mounted (JNSFSB, JNSFSW or JZSFSB)
  - Solid Floor Screen – Leg- or Post-Mounted (JNSFSL, JNSFST, JZSFSP)

**Finishes:** Foundation, Mica or Accent colors

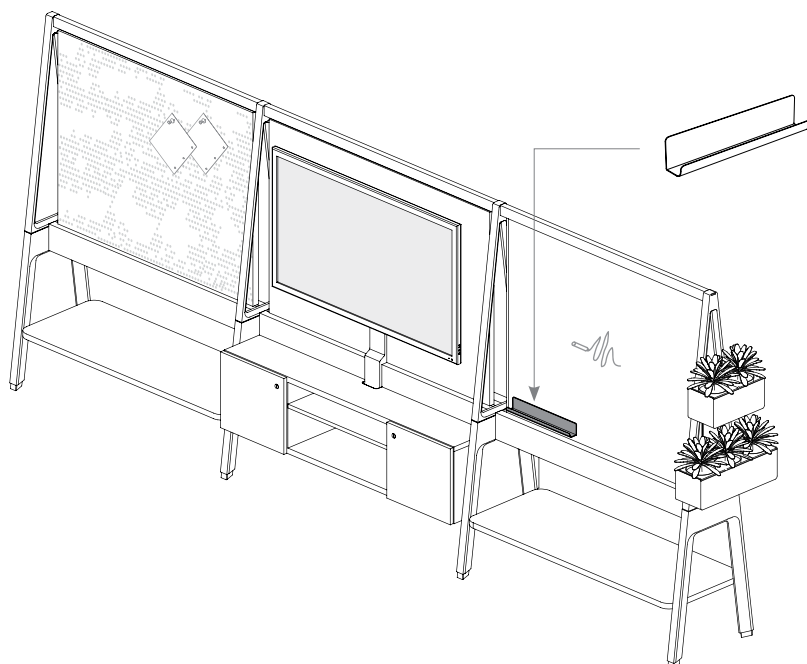
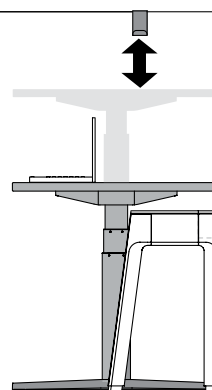
**Felt Pad:** Black



The hook will be visible on the other side



Teknion **does not** recommend the use of the panel hook over the Height-Adjustable Worksurfaces. Damages or personal injuries may occur if accessories are positioned beneath hook



### Markerboard Tray (JNSMT)

- Provides storage for up to four dry-erase markers and one eraser
- Can be installed on a markerboard or other solid surface with Velcro® bands
- Dry-Erase Kit (JNAEK) can be specified separately. Refer to Accessories section, for more details
- **NOTE:** The position of Markerboard Tray can interfere with Height-Adjustable Table, refer to Height-Adjustability section to ensure the required gap

**Finishes:** Foundation, Mica or Accent colors