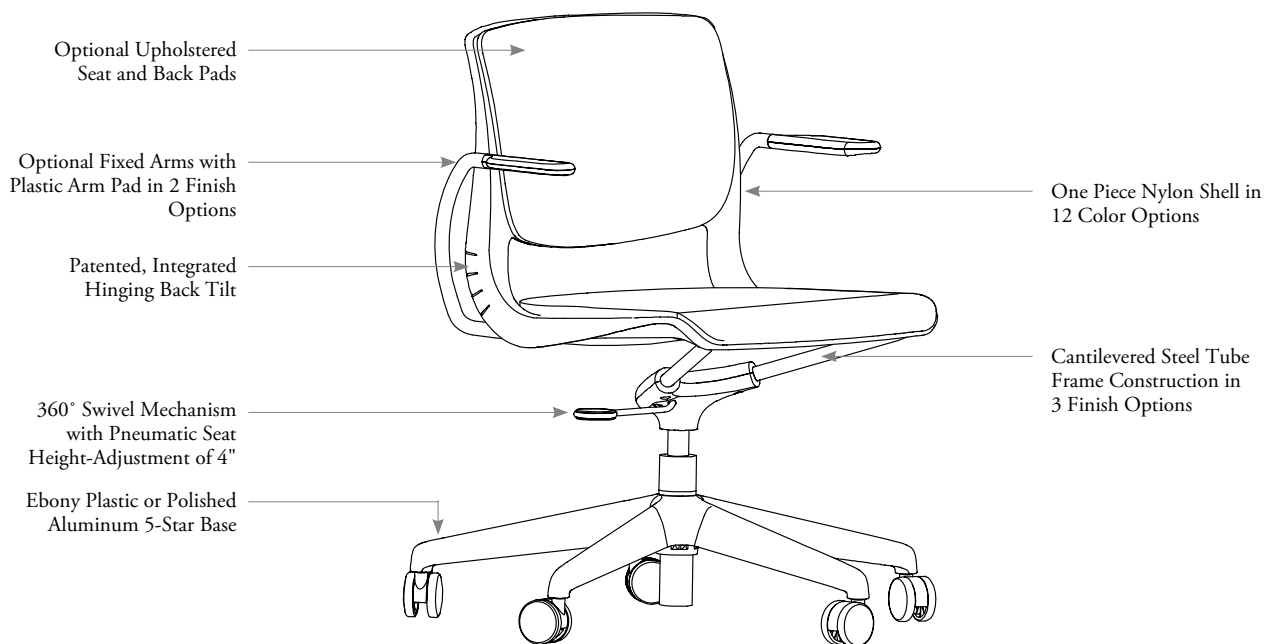


variable swivel multi-use work chair overview

The Swivel Work Multi-Use Chair is ideal where the functionality of a loaded Task Chair may be unnecessary for the application. Teknion's first all-Plastic Swivel Work Chairs are height-adjustable, have a swivel mechanism and the patented integrated back tilt. Very White shell finish is not recommended for high traffic use or minimized maintenance. See "Multi-Use Chairs" section for Variable Conference Chairs, HybrED Chairs and Application Guidelines for all Variable Chair types. See "Stacking Chairs" section for Variable Stacking Guest Chairs and Stacking Stools (Counter and Bar heights).

Variable Swivel Multi-Use Work Chair (NVRW)



statement of line



Swivel Work Chair – No Arms with Casters (NVRWN)



Swivel Work Chair – Integrated Arms with Casters (NVRWK)



Swivel Work Chair – No Arms with Glides (NVRWNB)



Swivel Work Chair – Integrated Arms with Glides (NVRWKB)

variable swivel multi-use work chair overview (continued)

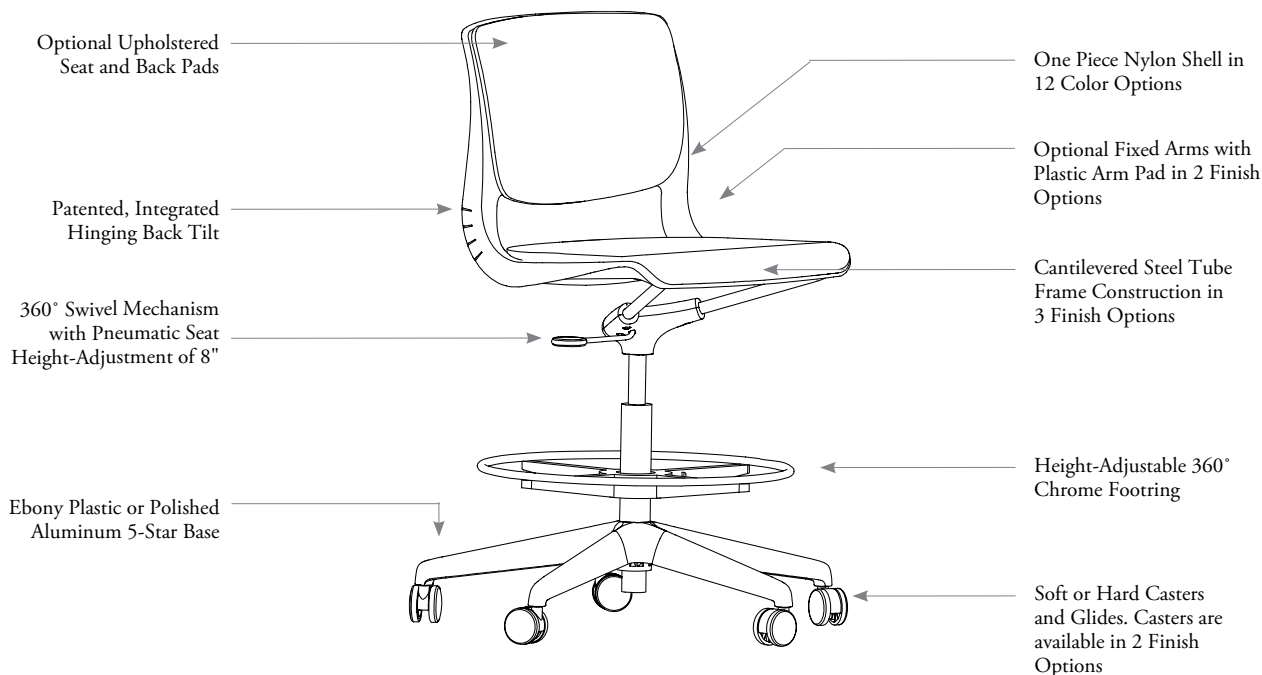
The Swivel Multi-Use Stool is perfect for counter-height users such as tellers with walk-up guests as well as for those in working in labs. It is height-adjustable, includes the patented integrated back-tilt and a footring.

Very White shell finish is not recommended for high traffic use or minimized maintenance.

See “Multi-Use Chairs” section for Variable Conference Chairs, HybrED Chairs and Application Guidelines for all Variable Chair types

See “Stacking Chairs” section for Variable Stacking Guest Chairs and Stacking Stools (Counter and Bar heights).

Variable Swivel Multi-Use Stool (NVRD)



statement of line



Swivel Stool – No Arms with Casters (NVRDN)



Swivel Stool – Integrated Arms with Casters (NVRDK)



Swivel Stool – No Arms with Glides (NVRDNB)



Swivel Stool – Integrated Arms with Glides (NVRDKB)

multi-use chairs

variable swivel multi-use work chair dimensions & material requirements

features

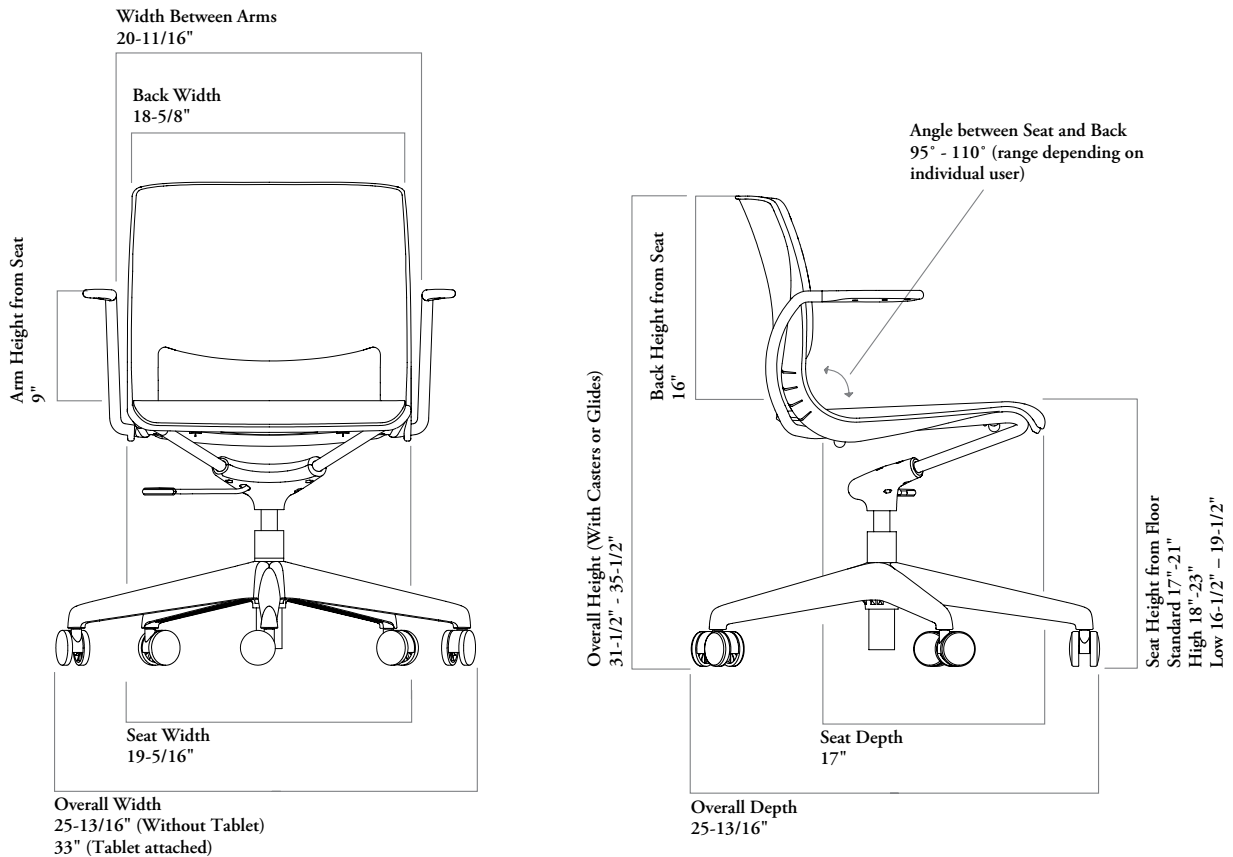
- Designed and tested for users up to 300 lbs
- Meets ANSI/BIFMA Requirement

weight

Swivel Work Chair without Arms	24.8 lbs
Swivel Work Chair with Arms	28.3 lbs
Optional Tablet	6 lbs

Weight includes Casters and Aluminum Base

Swivel Multi-Use Work Chair



COM/COL material requirement

The pattern, repeat and directionality of fabric may increase the amount of yardage required.

Leather quantities should always be rounded up to the next hide size, as yields vary from 60-80% and are affected by the quality, size and shape of the hide, and by the location and quantity of blemishes.

BACK	SINGLE UPHOLSTERED		DUAL UPHOLSTERED		SEAT DUAL UPHOLSTERED –	
	COM [yards]	COL [sq. ft]	COM [yards]	COL [sq. ft]	COM [yards]	COL [sq. ft]
Seat only	1	8.5	n/a	n/a	n/a	n/a
Seat and Back	1	10.5	1	8.5	1	8.5

variable swivel multi-use work chair dimensions & material requirements (continued)

features

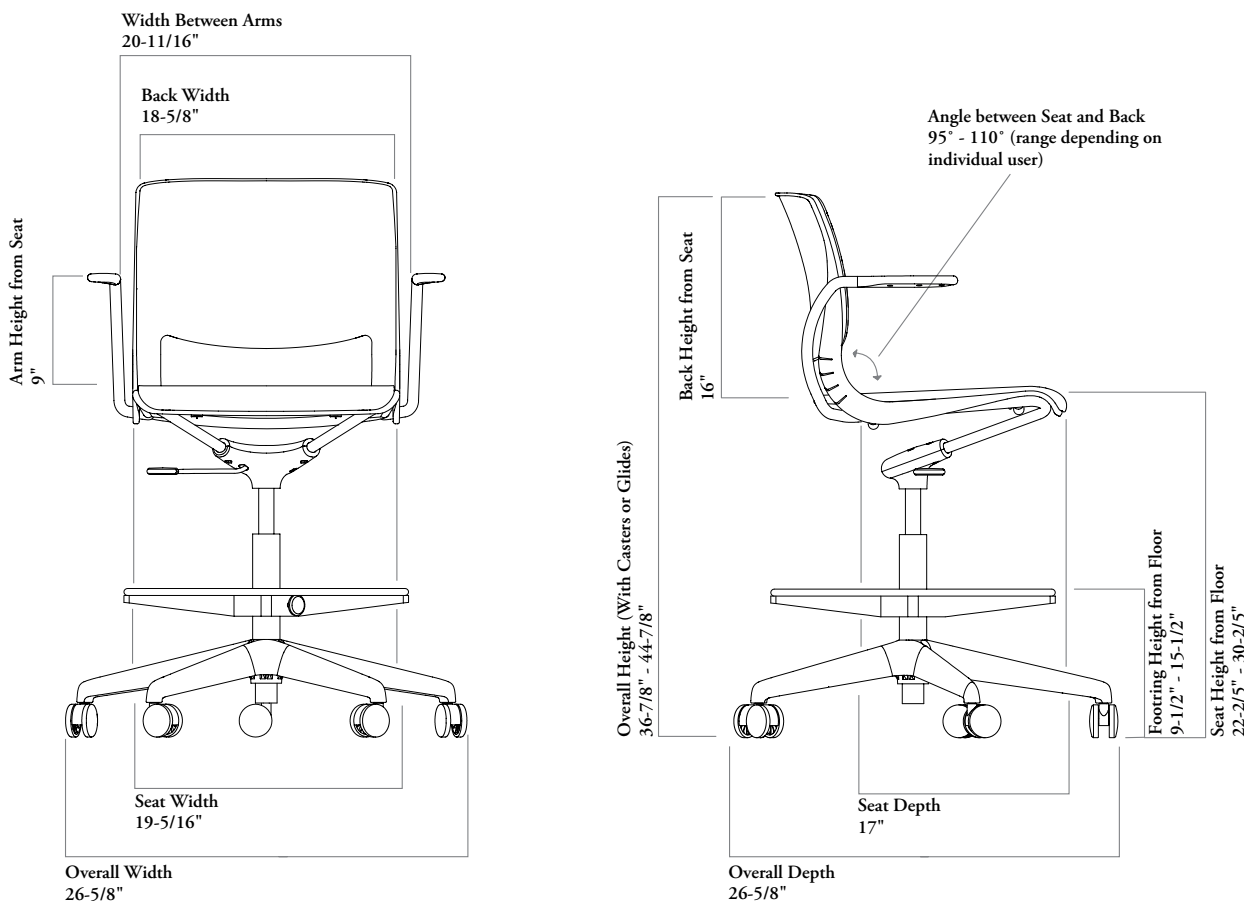
- Designed and tested for users up to 300 lbs
- Meets ANSI/BIFMA Requirement

weight

Swivel Stool without Arms	28.9 lbs
Swivel Stool with Arms	32.3 lbs

Weight includes Casters and Aluminum Base

Swivel Multi-Use Stool



COM/COL material requirement

The pattern, repeat and directionality of fabric may increase the amount of yardage required.

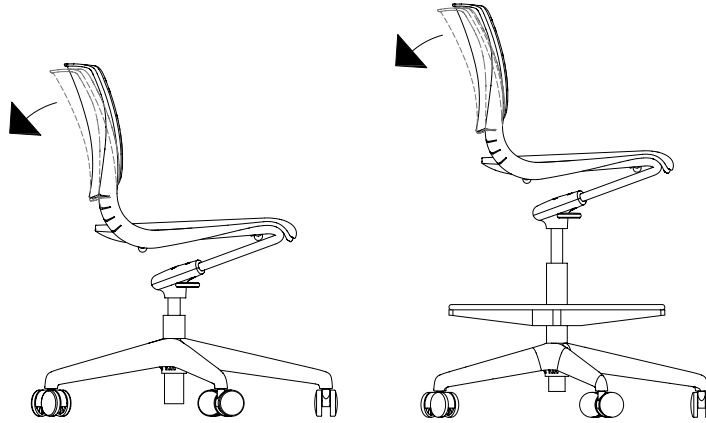
Leather quantities should always be rounded up to the next hide size, as yields vary from 60-80% and are affected by the quality, size and shape of the hide, and by the location and quantity of blemishes.

BACK	SINGLE UPHOLSTERED		DUAL UPHOLSTERED		SEAT DUAL UPHOLSTERED –	
	COM [yards]	COL [sq. ft]	COM [yards]	COL [sq. ft]	COM [yards]	COL [sq. ft]
Seat only	1	8.5	n/a	n/a	n/a	n/a
Seat and Back	1	10.5	1	8.5	1	8.5

variable swivel multi-use work chair dimensions & material requirements adjustment features & instructions

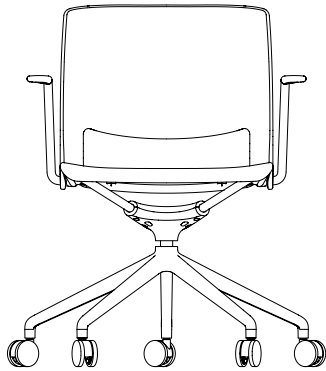
tilt adjustment

Actively recline in all Variable Chairs and return to an upright position with the patented Variable integrated hinged back-tilt. Amount of flex varies dependent on user.

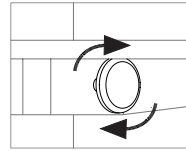


swivel mechanism

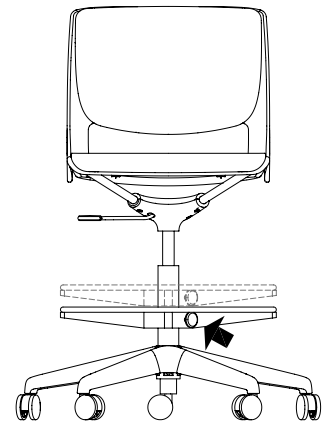
The Swivel Multi-Use Work Chair, Swivel Multi-Use Stool and Conference Chair freely swivel 360°.



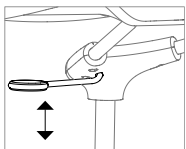
footring height-adjustment



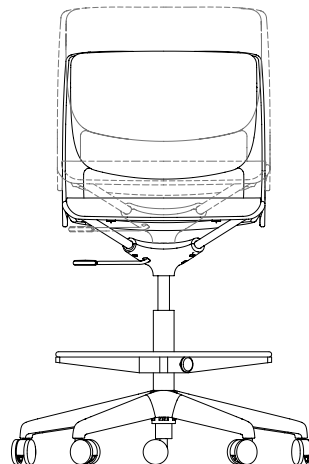
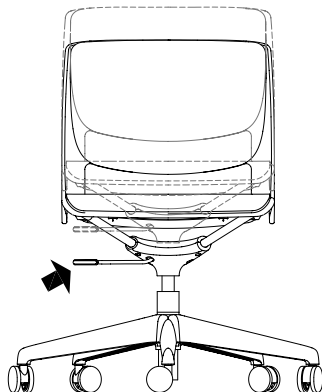
To raise or lower the footring on the Swivel Stool, turn the footring's knob counter-clockwise to release the footring and adjust the ring until you reach the desired level. Turn the knob clockwise to lock in place.



seat height-adjustment

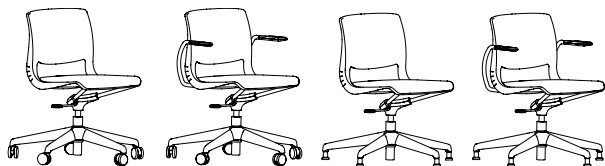


While in the seated position in the Swivel Multi-Use Chair or Stool, pull-up the paddle located below the chair on the right-hand side to lower the chair to the desired position. Depress the paddle. Transfer your weight to your feet and pull-up the paddle to raise the chair height. Depress the paddle.



multi-use chairs

N V R W Variable Swivel Multi-Use Work Chair



Swivel
Work Chair –
No Arms
with Casters

Swivel
Work Chair –
Integrated Arms
with Casters

Swivel
Work Chair –
No Arms
with Glides

Swivel
Work Chair –
Integrated Arms
with Glides

FEATURES

- Pneumatic cylinder provides height-adjustment of 4"
- Swivel seat rotates 360°
- Includes the patented Variable integrated back-tilt
- Ebony (Plastic) Base option or Polished Aluminum Base
- Optional Frame finishes are Ebony (Paint), Platinum (Paint) or Chrome
- Options for Hard and Soft Casters in Ebony or Silver and Ebony finish, or Hard and Soft Glides
- Mechanism finished in Polished Aluminum
- Optional fixed arms with plastic arm pad

NOTES

Upholstery options available include: Not Upholstered, Single Upholstered Seat only, Single Upholstered Seat and Back, or Dual Upholstered Seat and Back.

Arm frame finish matches chair frame finish. Plastic arm pads have optional Ebony or Platinum Grey finish.

Tablet may be applied to No Arm styles and can be retrofit on site.

Leather LD is not available on Variable.

PRODUCT OPTIONS

Arm Style	Upholstery Style	Back Upholstery (For Dual)	Cylinder Style	Frame Finish	Plastic Shell Finish	Plastic Arm Finish	Base Finish	Casters/ Glides	Assembly Style
N No Arms K Integrated Arms	N Not Upholstered	Fabric	1 Standard	E Ebony	6A Deep Verde	7F Ebony	52 Ebony (Satin)	Casters, Hard A Casters, Soft B Glides, Hard C Glides, Soft	F Fully Assembled N Not Fully Assembled
	P Single Upholstered Seat Only	Leather LA Leather LB Leather LC	2 High 3 Low	7 Platinum (Satin) C Chrome	6C Blue 6E Dark Grey 6G Medium Taupe 6H Medium Grey 6J Orange 7F Ebony 7H Light Grey 8C Very White	YN Platinum Grey C9 Polished Aluminum	Optional Caster Finish 1 Ebony 2 Silver and Ebony		
	S Single Upholstered Seat and Back	Seat Upholstery Finish Fabric Leather LA Leather LB Leather LC							
	D Dual Upholstered Seat and Back								

SAMPLE ORDER CODE

NVRW K	P	E523	2	C	7F	7F	52	A	1	F
--------	---	------	---	---	----	----	----	---	---	---

DESCRIPTION

No Arms, Not Upholstered
Integrated Arms, Not Upholstered

PRICE

	Ebony Frame	Platinum Frame	Chrome Frame
No Arms, Not Upholstered	747	747	787
Integrated Arms, Not Upholstered	855	855	895

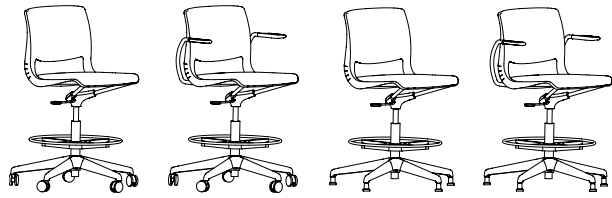
Pricing and options are continued on the following pages.

N V R W
Variable Swivel
Multi-Use Work Chair (Continued)

DESCRIPTION	PRICE									
	Grade 1	COM/ Grade 2	COL/ Grade 3	Grade 4	Grade 5	Grade 6	Grade 7	Grade 8	Grade 9	Grade 10
No Arms, Upholstered Seat Only	922	940	954	965	975	987	997	1007	1019	1030
Integrated Arms, Upholstered Seat Only	1028	1045	1060	1069	1081	1091	1100	1113	1122	1137
No Arms, Upholstered Seat and Back	1031	1059	1089	1108	1129	1147	1169	1186	1206	1228
Integrated Arms, Upholstered Seat and Back	1136	1165	1195	1214	1233	1252	1274	1289	1311	1333
	Leather LA	Leather LB	Leather LC							
No Arms, Upholstered Seat Only	975	979	994							
Integrated Arms, Upholstered Seat Only	1081	1086	1098							
No Arms, Upholstered Seat and Back	1132	1140	1169							
Integrated Arms, Upholstered Seat and Back	1235	1246	1274							
If Dual Upholstered (D) is specified	add	256								
If Polished Aluminum Base (C9) is specified	add	82								
If Hard Casters are specified with Silver and Ebony	add	31								
If Soft Casters are specified with Ebony	add	28								
If Soft Casters are specified with Silver and Ebony	add	72								
If Hard Glides (B) are specified	add	28								
If Soft Glides (C) are specified	add	46								
If Chrome Frame (C) is specified	add	40								

multi-use chairs

NVRD Variable Swivel Multi-Use Stool



Swivel Stool –
No Arms
with Casters

Swivel Stool –
Integrated Arms
with Casters

Swivel Stool –
No Arms
with Glides

Swivel Stool –
Integrated Arms
with Glides

FEATURES

- Pneumatic cylinder provides height-adjustment of 8"
- Swivel seat rotates 360°
- Includes footring with 6" height-adjustment
- Includes the patented Variable integrated back-tilt
- Ebony (Plastic) base option or Polished Aluminum Base
- Optional Frame finishes are Ebony (Paint), Platinum (Paint) or Chrome
- Options for Hard and Soft Casters in Ebony or Silver and Ebony finish, or Hard and Soft Glides
- Mechanism finished in Polished Aluminum
- Optional fixed arms with plastic arm pad

NOTES

Upholstery options available include: Not Upholstered, Single Upholstered Seat only, Single Upholstered Seat and Back, or Dual Upholstered Seat and Back.

Arm frame finish matches chair frame finish. Plastic arm pads have optional Ebony or Platinum Grey finish.

Tablet may be applied to No Arm styles and can be retrofit on site.

Leather LD is not available on Variable.

PRODUCT OPTIONS

Arm Style	Upholstery Style	Back Upholstery (For Dual)	Frame Finish	Plastic Shell Finish	Plastic Arm Finish	Base Finish	Casters/ Glides	Assembly Style
N No Arms K Integrated Arms	N Not Upholstered	Fabric	E Ebony	6A Deep Verde	7F Ebony	52 Ebony	Casters, Hard	F Fully Assembled
	P Single Upholstered Seat Only	Leather LA Leather LB Leather LC	7 Platinum (Satin) C Chrome	6C Blue 6E Dark Grey 6G Medium Taupe 6H Medium Grey 6J Orange	YN Platinum Grey	C9 Polished Aluminum	A Casters, Soft B Glides, Hard C Glides, Soft	N Not Fully Assembled
	S Single Upholstered Seat and Back	Seat Upholstery Finish		7F Ebony 7H Light Grey 8C Very White			Optional Caster Finish 1 Ebony 2 Silver and Ebony	
	D Dual Upholstered Seat and Back		Fabric Leather LA Leather LB Leather LC					

SAMPLE ORDER CODE

NVRD K	P	E523	C	7F	7F	52	A	1	
--------	---	------	---	----	----	----	---	---	--

See pricing on the following page.

NVRD
Variable Swivel Multi-Use Stool
(Continued)

DESCRIPTION	PRICE									
	Ebony Frame	Platinum Frame	Chrome Frame							
No Arms, Not Upholstered	857	857	897							
Integrated Arms, Not Upholstered	963	963	1003							
	Grade 1	Grade 2	Grade 3	Grade 4	Grade 5	Grade 6	Grade 7	Grade 8	Grade 9	Grade 10
No Arms, Upholstered Seat Only	1031	1048	1063	1071	1085	1093	1104	1115	1124	1139
Integrated Arms, Upholstered Seat Only	1138	1151	1168	1176	1188	1198	1209	1218	1230	1243
No Arms, Upholstered Seat and Back	1140	1169	1198	1217	1235	1255	1277	1293	1314	1336
Integrated Arms, Upholstered Seat and Back	1246	1274	1303	1322	1340	1360	1380	1400	1420	1439
	Leather LA	Leather LB	Leather LC							
No Arms, Upholstered Seat Only	1085	1088	1100							
Integrated Arms, Upholstered Seat Only	1188	1194	1205							
No Arms, Upholstered Seat and Back	1237	1249	1277							
Integrated Arms, Upholstered Seat and Back	1344	1352	1380							
If Dual Upholstered (D) is specified	add	256								
If Polished Aluminum Base (C9) is specified	add	82								
If Hard Casters are specified with Silver and Ebony	add	31								
If Soft Casters are specified with Ebony	add	28								
If Soft Casters are specified with Silver and Ebony	add	72								
If Hard Glides (B) are specified	add	28								
If Soft Glides (C) are specified	add	46								
If Chrome Frame (C) is specified	add	40								

variable conference chair overview

The Conference Chair provides a contemporary seating option for meeting, seminar and conference spaces. Fixed arms, swivel fixed-height mechanism and the backs integrated passive tilt deliver a clean, uncluttered and comfortable chair in any meeting environment.

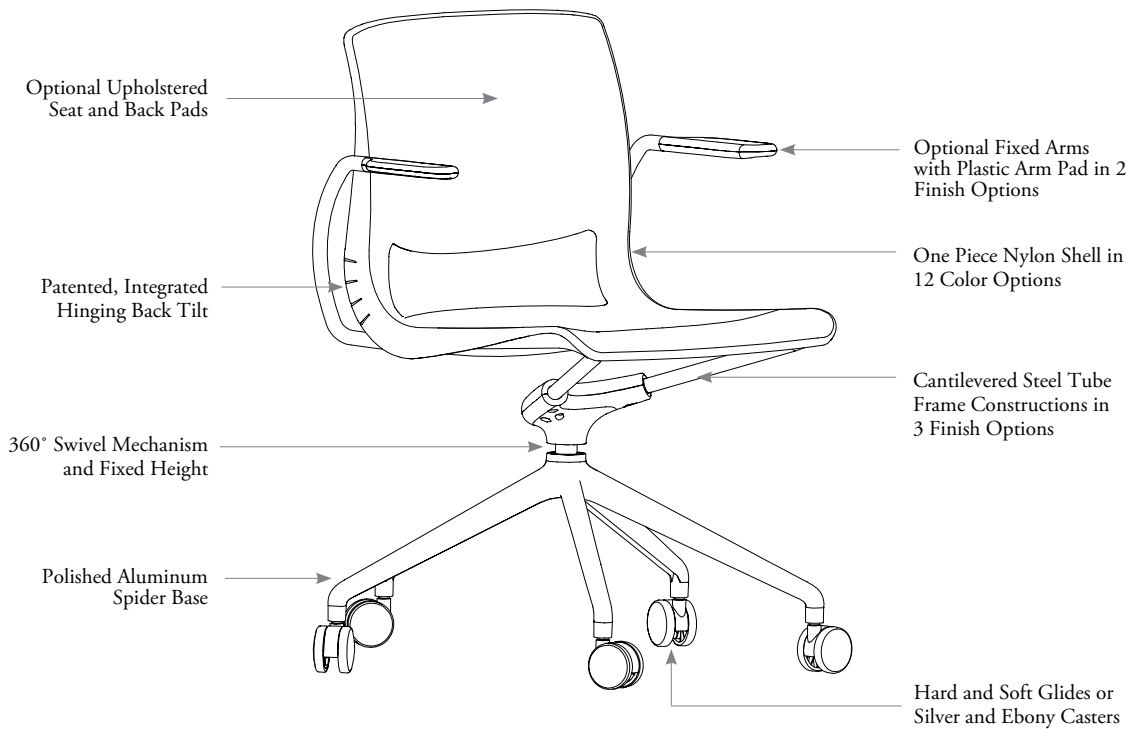
Variable Chairs have been designed and tested for users up to 300 lbs.

Very White shell finish is not recommended for high traffic use or minimized maintenance.

See “Work-Use Chairs” section for Variable Swivel Multi-Use Work Chairs and Stools.

See “Stacking Chairs” section for Variable Stacking Guest Chairs and Stacking Stools (Counter and Bar heights).

Variable Conference Chair (NVRC) (shown)



statement of line



Conference Chair –
No Arms
with Casters
(NVRCN)



Conference Chair –
Integrated Arms
with Casters
(NVRCK)



Conference Chair –
No Arms
with Glides
(NVRGN)



Conference Chair –
Integrated Arms
with Glides
(NVRGK)

variable conference chair dimensions & material requirements

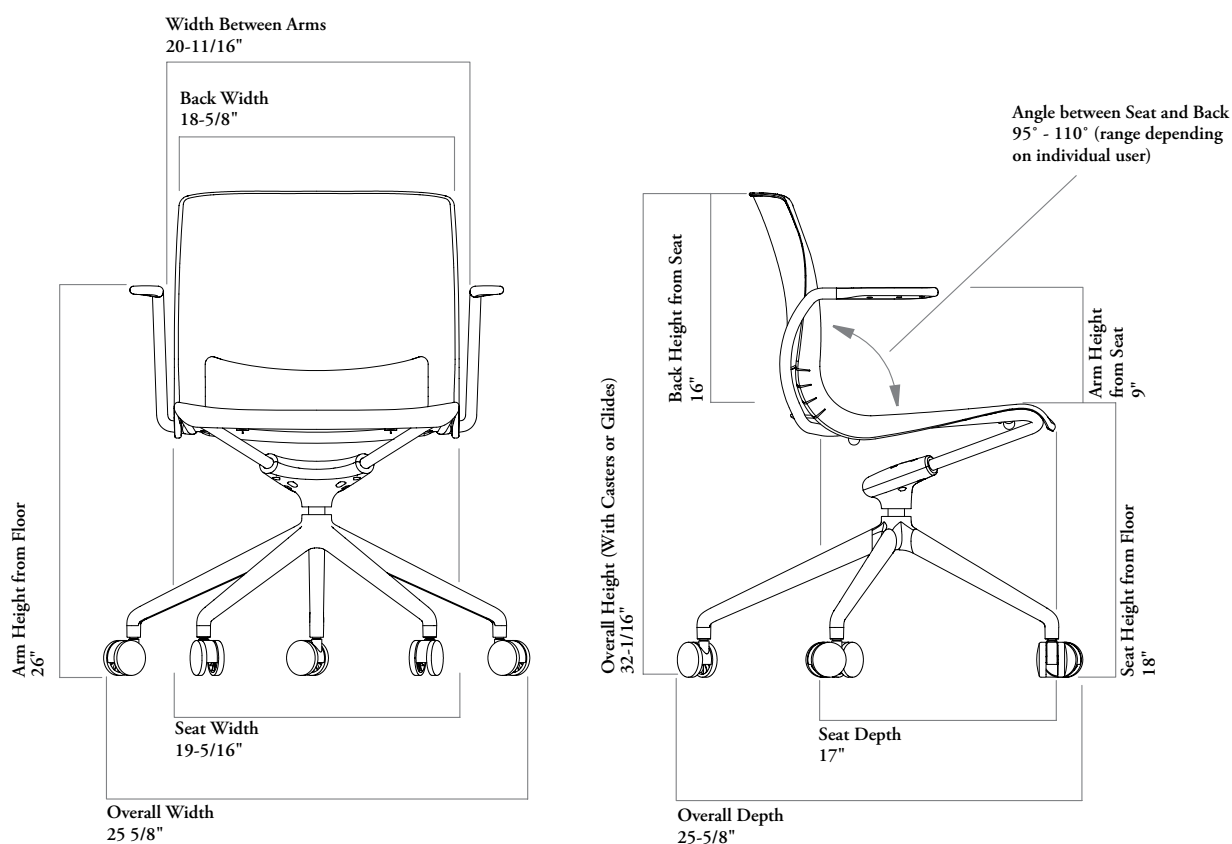
features

- Designed and tested for users up to 300 lbs

weight

Conference Chair with Arms	26.8 lbs
Conference Chair without Arms	23.4 lbs

Conference Chair



COM/COL material requirement

The pattern, repeat and directionality of fabric may increase the amount of yardage required.

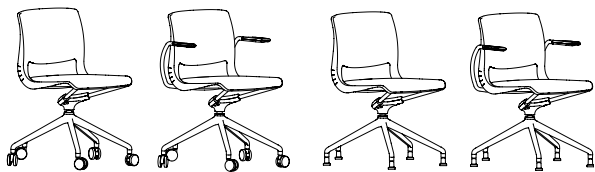
Leather quantities should always be rounded up to the next hide size, as yields vary from 60-80% and are affected by the quality, size and shape of the hide, and by the location and quantity of blemishes.

BACK	SINGLE UPHOLSTERED		DUAL UPHOLSTERED		SEAT DUAL UPHOLSTERED –	
	COM [yards]	COL [sq. ft]	COM [yards]	COL [sq. ft]	COM [yards]	COL [sq. ft]
Seat only	1	8.5	n/a	n/a	n/a	n/a
Seat and Back	1	10.5	1	8.5	1	8.5

multi-use chairs

N V R C

Variable Conference Chair



Conference Chair – No Arms with Casters

Conference Chair – Integrated Arms with Casters

Conference Chair – No Arms with Glides

Conference Chair – Integrated Arms with Glides

FEATURES

- Swivel seat rotates 360°
- Includes the patented Variable integrated back-tilt
- Fixed height mechanism with Polished Aluminum finish
- Standard Polished Aluminum Spider Base
- Optional frame finishes are Ebony (paint), Platinum (paint) or Chrome
- Options for Hard and Soft Casters or Hard and Soft Glides
- Casters are finished in Silver and Ebony
- Optional fixed arms with Plastic arm pad

NOTES

Upholstery options available include: Not Upholstered, Single Upholstered Seat only, Single Upholstered Seat and Back, or Dual Upholstered Seat and Back.

Arm frame finish matches chair frame finish. Plastic arm pads have optional Ebony or Platinum Grey finish.

Tablet must be field installed.

Leather LD is not available on Variable.

PRODUCT OPTIONS

Frame Style	Arm Style	Upholstery Style	Back Upholstery (For Dual)	Frame Finish	Plastic Shell Finish	Plastic Arm Finish	Tablet Option	Tablet Surface Finish
G Spider Base with Casters, Hard	N No Arms	N Not Upholstered	Fabric	E Ebony	6A Deep Verde	7F Ebony	N No Tablet	Compact laminate
A Spider Base with Casters, Soft	K Integrated Arms	P Single Upholstered Seat Only	Leather LA Leather LB Leather LC	7 Platinum (Satin)	6C Blue	YN Platinum Grey	R Tablet (Right Handed)	
B Spider Base with Glides, Hard		S Single Upholstered Seat and Back	Seat Upholstery Finish	C Chrome	6E Dark Grey		L Tablet (Left Handed)	
C Spider Base with Glides, Soft		D Dual Upholstered Seat and Back	Fabric Leather LA Leather LB Leather LC		6G Medium Taupe			
					6H Medium Grey			
					6J Orange			
					7F Ebony			
					7H Light Grey			
					8C Very White			

SAMPLE ORDER CODE

NVRC C	K	P	E523	E	7F	7F	N	
---------------	----------	----------	-------------	----------	-----------	-----------	----------	--

DESCRIPTION

PRICE

	Ebony Frame	Platinum Frame	Chrome Frame
SPIDER BASE WITH CASTERS, HARD (G)			
No Arms, Not Upholstered	991	991	1031
Integrated Arms, Not Upholstered	1093	1093	1133
SPIDER BASE WITH CASTERS, SOFT (A)			
No Arms, Not Upholstered	1016	1016	1056
Integrated Arms, Not Upholstered	1122	1122	1162
SPIDER BASE WITH GLIDES, HARD (B)			
No Arms, Not Upholstered	1016	1016	1056
Integrated Arms, Not Upholstered	1122	1122	1162
SPIDER BASE WITH GLIDES, SOFT (C)			
No Arms, Not Upholstered	1035	1035	1075
Integrated Arms, Not Upholstered	1139	1139	1179

Pricing and options is continued on the following pages.

N V R C
Variable Conference Chair
(Continued)

DESCRIPTION

PRICE

SPIDER BASE WITH CASTERS, HARD (G)

	Grade 1	COM/ Grade 2	COL/ Grade 3	Grade 4	Grade 5	Grade 6	Grade 7	Grade 8	Grade 9	Grade 10
No Arms – Upholstered Seat Only	1166	1179	1196	1204	1216	1226	1238	1246	1259	1270
Integrated Arms – Upholstered Seat Only	1268	1284	1298	1306	1320	1328	1342	1350	1361	1375
No Arms – Upholstered Seat and Back	1274	1302	1331	1350	1369	1386	1408	1427	1449	1467
Integrated Arms – Upholstered Seat and Back	1376	1404	1433	1454	1473	1490	1512	1529	1552	1572

	Leather LA	Leather LB	Leather LC
No Arms – Upholstered Seat Only	1216	1222	1234
Integrated Arms – Upholstered Seat Only	1320	1324	1340
No Arms – Upholstered Seat and Back	1373	1380	1408
Integrated Arms – Upholstered Seat and Back	1475	1484	1512

SPIDER BASE WITH CASTERS, SOFT (A)

	Grade 1	COM/ Grade 2	COL/ Grade 3	Grade 4	Grade 5	Grade 6	Grade 7	Grade 8	Grade 9	Grade 10
No Arms – Upholstered Seat Only	1189	1204	1222	1230	1241	1252	1263	1272	1284	1296
Integrated Arms – Upholstered Seat Only	1297	1314	1327	1340	1349	1357	1371	1379	1391	1404
No Arms – Upholstered Seat and Back	1297	1325	1354	1375	1395	1411	1433	1453	1473	1492
Integrated Arms – Upholstered Seat and Back	1405	1433	1462	1483	1502	1520	1541	1558	1581	1603

	Leather LA	Leather LB	Leather LC
No Arms – Upholstered Seat Only	1241	1245	1260
Integrated Arms – Upholstered Seat Only	1349	1353	1367
No Arms – Upholstered Seat and Back	1398	1405	1433
Integrated Arms – Upholstered Seat and Back	1504	1513	1541

SPIDER BASE WITH GLIDES, HARD (B)

	Grade 1	COM/ Grade 2	COL/ Grade 3	Grade 4	Grade 5	Grade 6	Grade 7	Grade 8	Grade 9	Grade 10
No Arms – Upholstered Seat Only	1189	1204	1222	1230	1241	1252	1263	1272	1284	1296
Integrated Arms – Upholstered Seat Only	1297	1314	1327	1340	1349	1357	1371	1379	1391	1404
No Arms – Upholstered Seat and Back	1297	1325	1354	1375	1395	1411	1433	1453	1473	1492
Integrated Arms – Upholstered Seat and Back	1405	1433	1462	1483	1502	1520	1541	1558	1581	1603

	Leather LA	Leather LB	Leather LC
No Arms – Upholstered Seat Only	1241	1245	1260
Integrated Arms – Upholstered Seat Only	1349	1353	1367
No Arms – Upholstered Seat and Back	1398	1405	1433
Integrated Arms – Upholstered Seat and Back	1504	1513	1541

SPIDER BASE WITH GLIDES, SOFT (C)

	Grade 1	COM/ Grade 2	COL/ Grade 3	Grade 4	Grade 5	Grade 6	Grade 7	Grade 8	Grade 9	Grade 10
No Arms – Upholstered Seat Only	1209	1225	1240	1248	1262	1270	1282	1292	1302	1317
Integrated Arms – Upholstered Seat Only	1314	1327	1345	1353	1364	1375	1385	1394	1406	1419
No Arms – Upholstered Seat and Back	1317	1346	1375	1395	1412	1432	1454	1470	1491	1513
Integrated Arms – Upholstered Seat and Back	1422	1451	1480	1498	1517	1536	1556	1576	1597	1615

	Leather LA	Leather LB	Leather LC
No Arms – Upholstered Seat Only	1262	1266	1277
Integrated Arms – Upholstered Seat Only	1364	1370	1382
No Arms – Upholstered Seat and Back	1415	1426	1454
Integrated Arms – Upholstered Seat and Back	1520	1528	1556

If Dual Upholstered (D) is specified add 256
 If Chrome Frame (C) is specified add 40
 If Tablet Arm (R) or (L) is specified add 278