

# lighting, electrics & communications

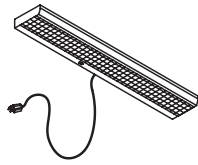
PRODUCT MAP . . . . .	273
LIGHTING BASICS . . . . .	274
POWER & DATA BASICS . . . . .	275
PRODUCT LISTING . . . . .	276



product map

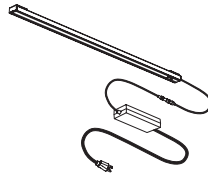
**Z E L L Y** Mounted Storage Utility Light

Page 276  
Width: 24" – 48"



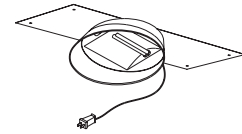
**Z E L E D** Linear LED Light

Page 277  
Width: 24" – 48"



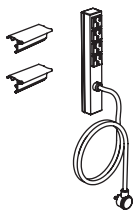
**Z E L T U** Universal Light with Shelf Adapter

Page 278



**Z E L P K** Underworksurface Power Kit

Page 279  
Length: 6' or 15'



**Z E L D K** Underworksurface Data Kit

Page 280



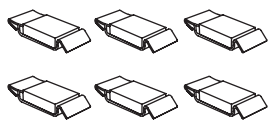
**Z E L C T** Cable Tray

Page 281  
Width: 12"



**Z E L W C** Worksurface Wire Management Clips

Page 282



**Z E L G P** Plastic Round Grommet

Page 283



**Z E L G M** Metal Round Grommet

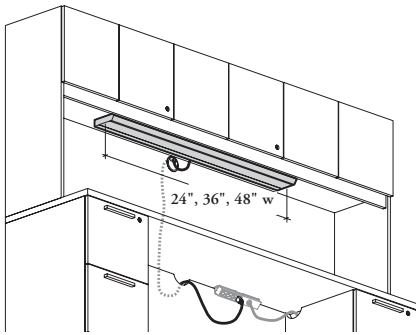
Page 283



## lighting basics

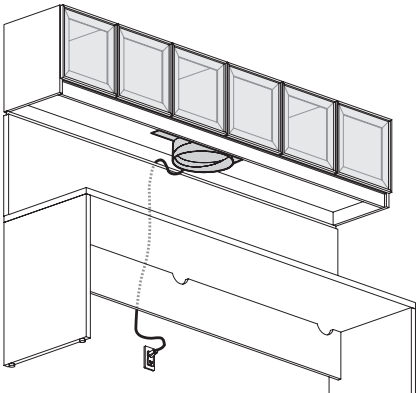
Expansion Wood's lighting solutions answer all task illumination needs. Fluorescent tubes and LED technology provide high quality lighting over the worksurface.

- ❗ Light dimensions are nominal
- The power cords can be concealed in the hutch grommet or wire cover extrusion (available with Wall Panel for Mounted Overhead Cabinet (ZEPOW)). It is managed with wire clips that route the cord to power at the access level
- Check local codes for potential limits or restrictions on products and local authority approval may be required prior to use
- Some jurisdictions require Resettable Breakers. Check local codes



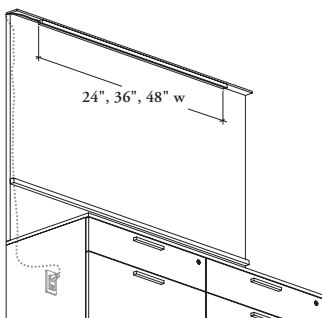
### Mounted Storage Utility Light (ZELLY)

- Mounts to the underside of Hutches (Shown), Mounted Overhead Cabinets or Standard Wall-Mounted Overhead Cabinets
- This product includes a 108" cord length
- Can be mounted under a shelf of a mounted storage with wood screws (included)
- Equipped with an energy-efficient cool white fluorescent tube (T5) and multi-faceted plastic lens, which spreads light uniformly over the worksurface
- The specified width should be one size smaller than the width of the cabinet to which it will be attached
- Available in Latte (C), Ebony (E), Granite (J), Storm White (Q), or Platinum (7) colors



### Universal Light with Shelf Adapter (ZELTU)

- Installed beneath Hutches, Mounted Overhead Cabinets or Standard Wall-Mounted Overhead Cabinets (Shown) to provide task lighting
- This product includes a 108" cord length
- A Shelf Adapter must be installed to allow magnetic mounting
- Equipped with an energy-efficient warm fluorescent tube and an asymmetric reflector that aids in the elimination of veiling reflection
- Universal Light and Shelf Adapter is finished in Ebony



### Linear LED Light (ZELED)

- Equipped with an energy-efficient strip of LEDs
- Can be magnetically mounted to the underside of Hutches, Overhead Cabinets, Standard Wall Cabinets or the Top Cover of a Wall Panel (Shown)
- Magnetic plates with shelf-adhesive foam tape are provided for non-magnetic application
- For storage products, the specified width should be one size smaller than the width of the cabinet to which it will be attached
- This product includes a 216" cord length
- Made with 95 % of recycled material. Life expectancy of 50 000 hours
- Finished in Clear Anodized (AC) only

Expansion Wood offers a wide variety of components for efficient and discrete management of electrical wiring and communication cables.

- Grommets, scallops or credenza unit removable back provide openings to route cables. For more details on wire management refer to the Wire Management Overview in the Application Guide
- All items listed in the section are approved for use in the both Canada and the United States. If a product is to be used elsewhere, contact Teknion's Customer Service



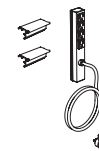
### Plastic Round Grommet (ZELGP) or Metal Round Grommet (ZELGM)

- Provide openings for electrical wiring and communication cables
- Plastic Round Grommet is finished in Black
- Metal Round Grommet is finished in a brushed chrome



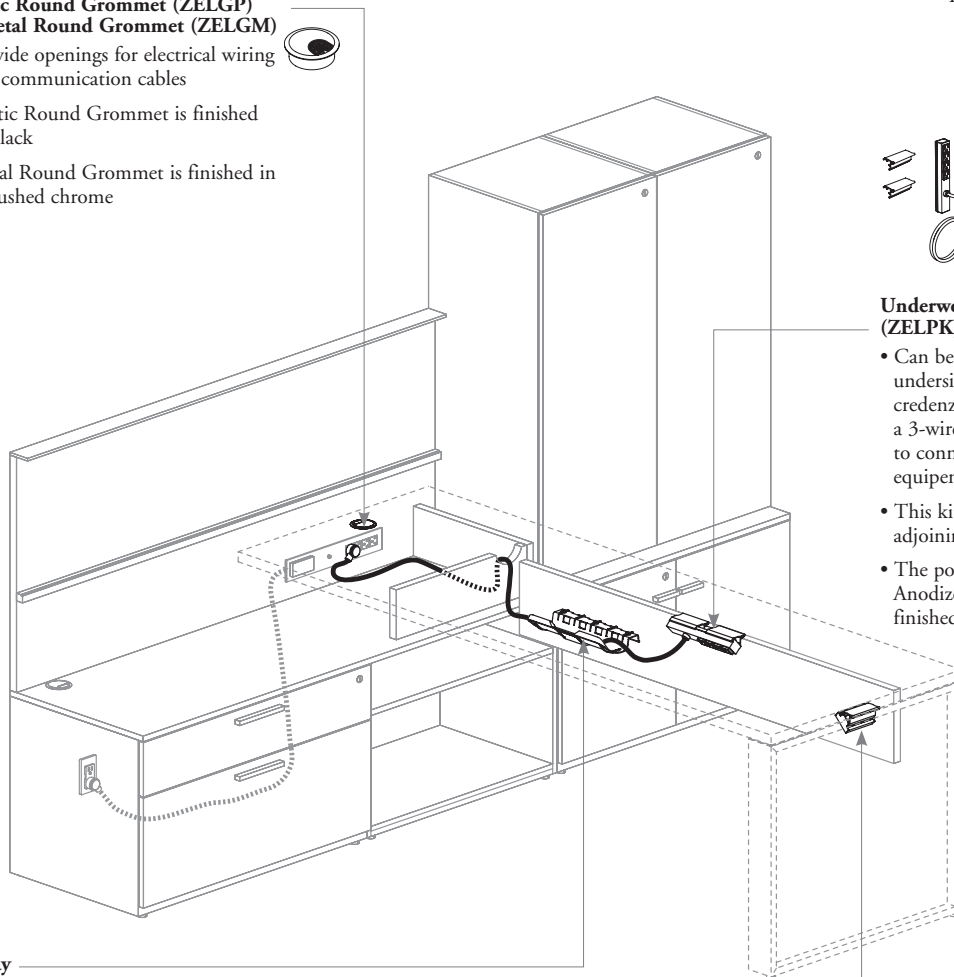
### Worksurface Wire Management Clips (ZELWC)

- Manage and conceal wires under the worksurface
- Finished in Black only



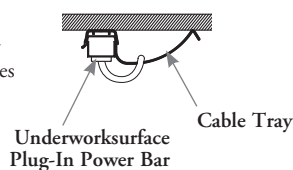
### Underworksurface Power Kit (ZELPK)

- Can be installed anywhere on underside of desk, return, bridge or credenza worksurfaces and provides a 3-wires system. It can be used to connect up to four electrical equipments
- This kit includes one power bar, two adjoining clips
- The power bar is finished in Clear Anodized and the adjoining clips are finished in Black only



### Cable Tray

- Is included with Peninsula Worksurfaces, Linking Worksurface and some specific desks and can be specified separately
- Can be mounted below any worksurface to manage cables
- Finished in Black only



Underworksurface Plug-In Power Bar

Cable Tray



### Underworksurface Data Kit (ZELDK)

- Conceal voice/data and communication connectors under the worksurface
- Comes with one adjoining clip and one data box
- The communication opening measures 69 mm x 35 mm
- Voice/Data faceplates and jacks are not included and must be field supplied and installed
- Finished in Black only

For Wire Management Overview; see page 22